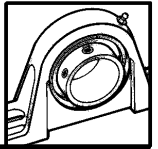
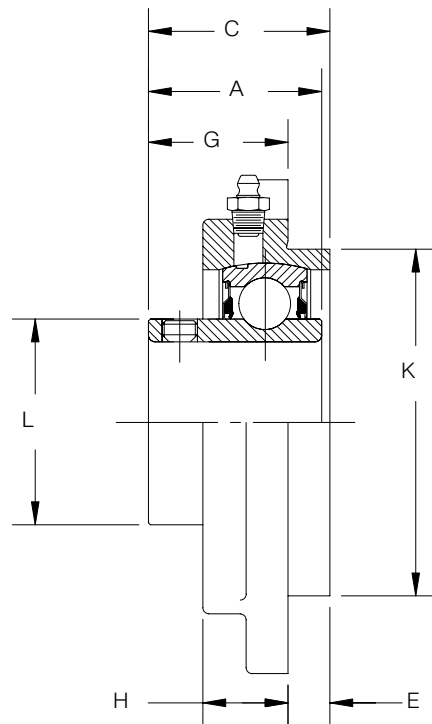
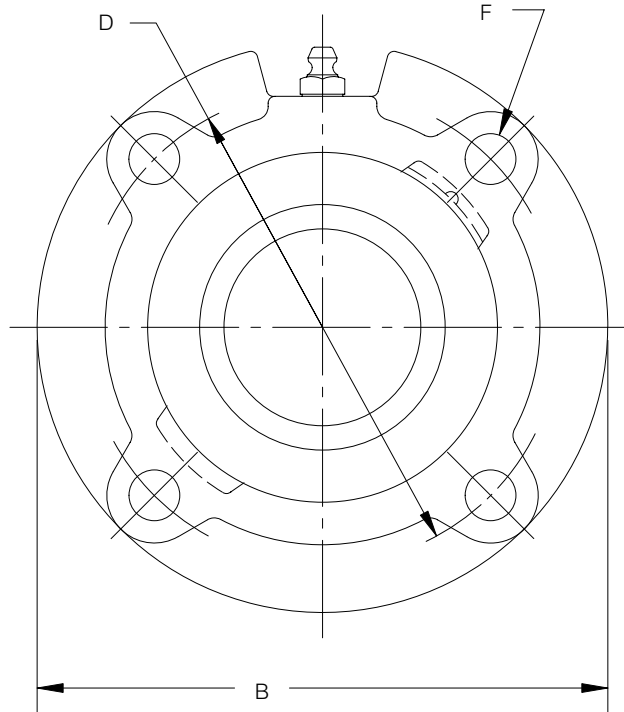


# SELECTION/DIMENSIONS



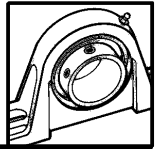
## Setscrew Ball Bearings - Inch

## SCM Medium Duty Piloted Flange Bearings



FEATURE/BENEFITS SETSCREW BALL BEARINGS PAGE 2	HOW TO ORDER/ NOMENCLATURE PAGE 4	SELECTION PAGE 5	SCM METRIC PILOTED FLANGE BEARINGS PAGE 88
--	---	---------------------	--

# SELECTION/DIMENSIONS



## Setscrew Ball Bearings - Inch

### SCM Medium Duty Piloted Flange Bearings

Series	Shaft Size	Part Number	Description	Weight lbs.	A	B	C	D
206	1	126167	FC-SCM-100	3.3	1-25/64	4-3/8	1-1/2	3-5/8
207	1-3/16 1-1/4	126168 124224	FC-SCM-103 FC-SC-104	4.2 3.9	1-17/32	5	1-49/64	4-1/8
208	1-7/16 1-1/2	126170 126171	FC-SCM-107 FC-SCM-108	4.8 4.6	1-11/16	5-1/4	1-57/64	4-3/8
209	1-1/2	@	FC-SCM-108L	5.6	1-23/32	5-3/4	1-57/64	4-3/4
210	1-11/16 1-3/4	126172 126173	FC-SCM-111 FC-SCM-112	6.4 6.3	1-3/4	6-1/8	1-61/64	5-1/8
211	1-15/16 2	126174 126175	FC-SCM-115 FC-SCM-200	7.6 7.4	1-27/32	6-3/8	2-7/32	5-3/8
212	2-3/16 2-1/4	126176 126177	FC-SCM-203 FC-SCM-204	9.5 9.3	1-63/64	7-1/8	2-29/64	6
214	2-7/16 2-1/2	126178 126179	FC-SCM-207 FC-SCM-208	13.2 13.0	2-15/64	7-5/8	2-49/64	6-1/2
216	2-15/16 3	126180 126182	FC-SCM-215 FC-SCM-300	18.8 18.6	2-11/32	8-3/4	3-1/32	7-1/2
218	3-7/16 3-1/2	126183 126184	FC-SCM-307 FC-SCM-308	28.7 28.5	2-31/64	10-1/4	3-19/64	8-5/8

@ Assemble to order.

Series	Shaft Size	E	F Bolt Dia.	G	H	K*	L
206	1	1/4	3/8	1-1/4	13/16	3	1-37/64
207	1-3/16 1-1/4	3/8	3/8	1-29/64	57/64	3-3/8	1-27/32
208	1-7/16 1-1/2	7/16	7/16	1-29/64	57/64	3-5/8	2-3/64
209	1-1/2	7/16	1/2	1-29/64	29/32	4	2-7/32
210	1-11/16 1-3/4	15/32	1/2	1-31/64	59/64	4-1/4	2-7/16
211	1-15/16 2	5/8	1/2	1-19/32	1	4-1/2	2-23/32
212	2-3/16 2-1/4	7/8	1/2	1-37/64	1	5	2-31/32
214	2-7/16 2-1/2	1-1/8	1/2	1-41/64	1-1/16	5-1/2	3-5/16
216	2-15/16 3	1-1/4	5/8	1-25/32	1-3/16	6-3/8	3-53/64
218	3-7/16 3-1/2	1-3/8	3/4	2-11/64	1-5/8	7-3/8	4-23/64

\* +.000-.002"

MODIFICATIONS PAGE 96	RELATED PRODUCTS PAGE 97		
--------------------------	-----------------------------	--	--