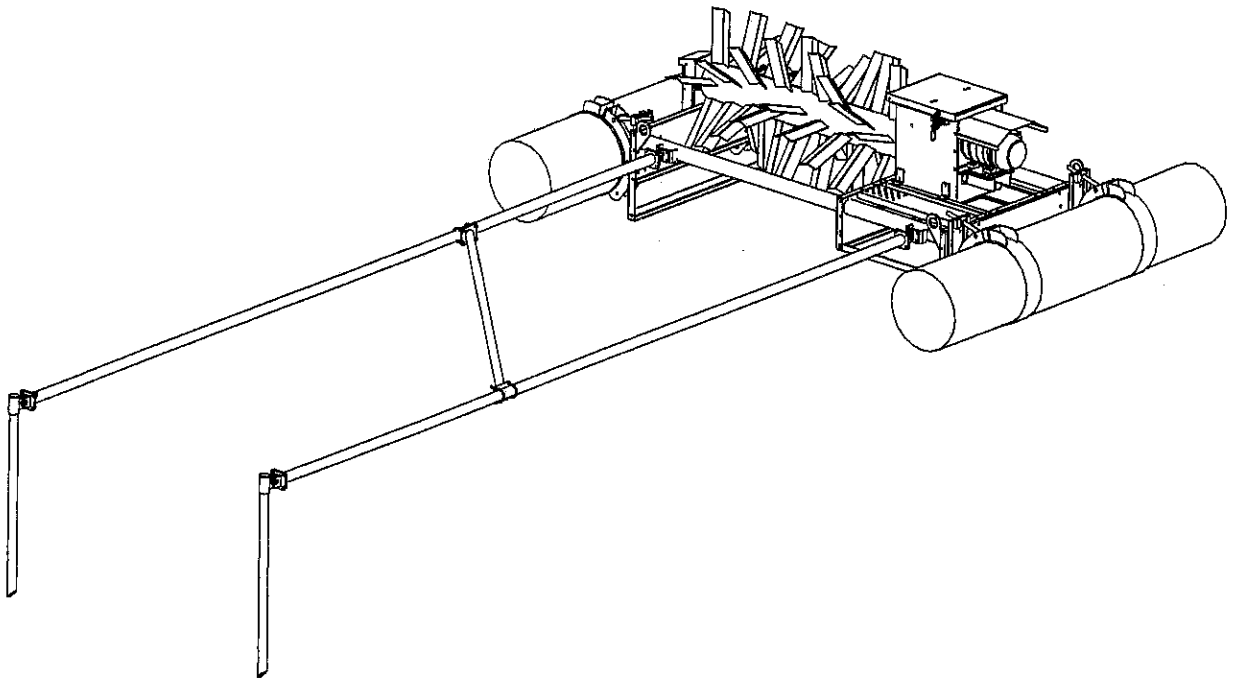
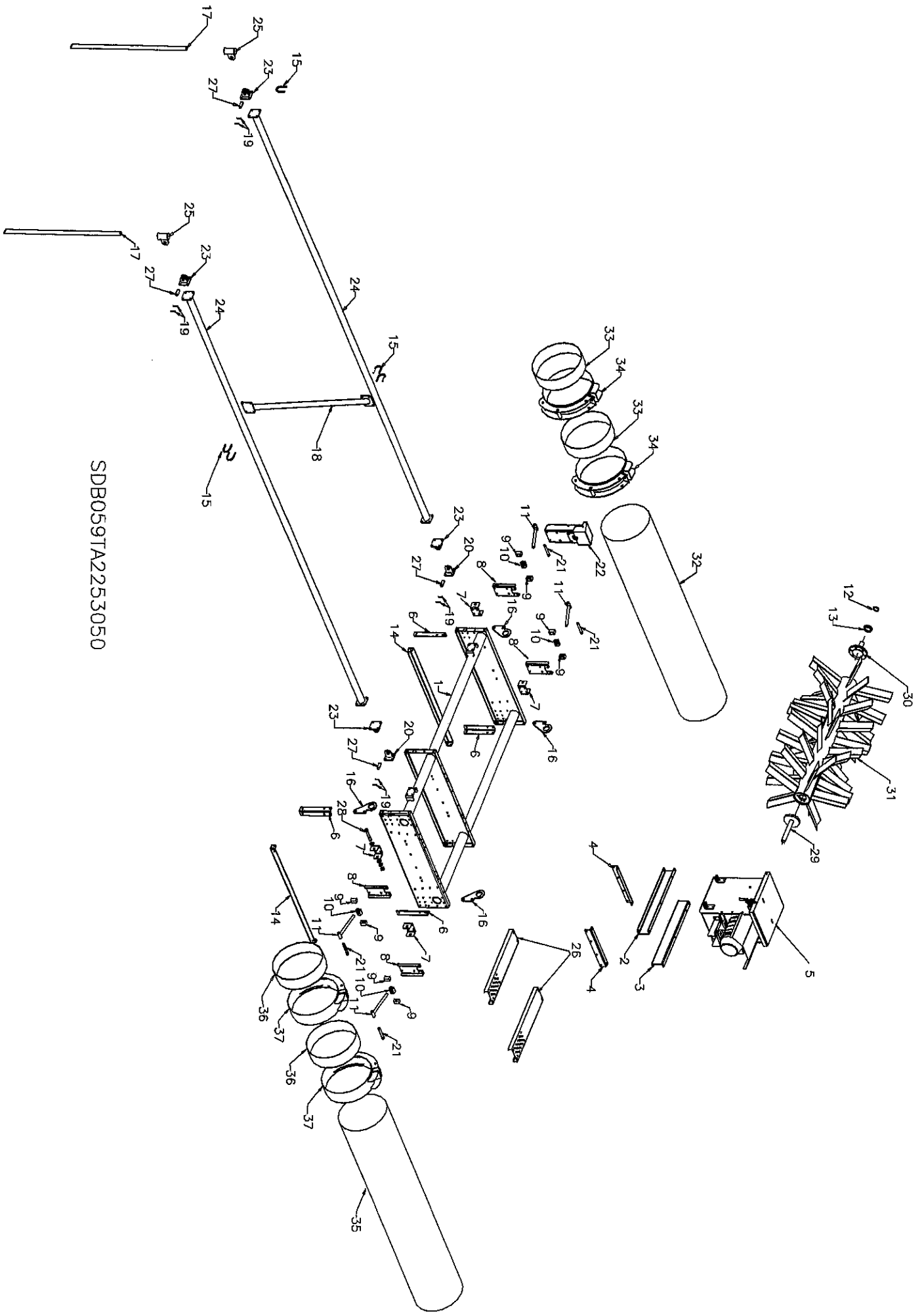


BCS
**House
Industries**

SDB059TA2253050
5 HP ELECTRIC BRUSH AERATOR
Parts List & Drawings
9/6/2012

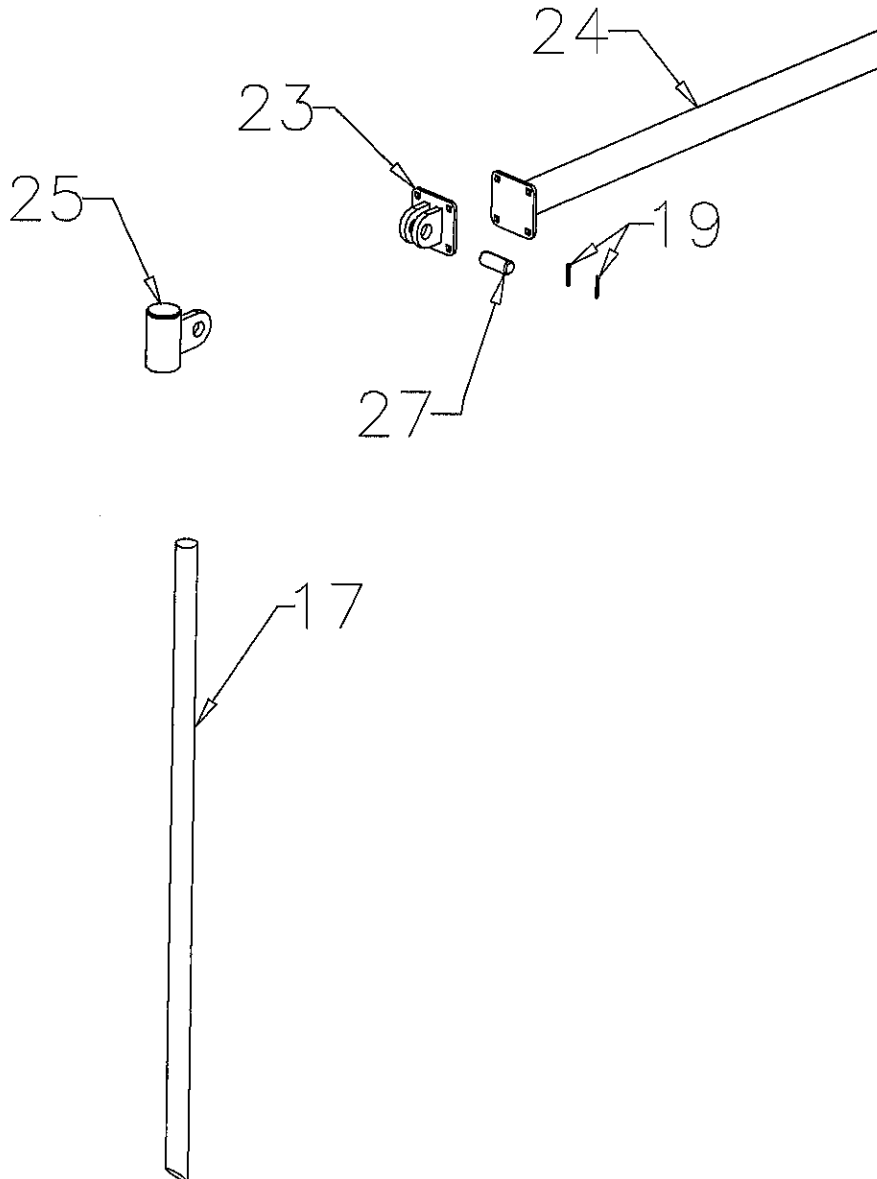


SDB059TA2253050			
REF#	DESCRIPTION	QTY	PART #
1	Frame, Welded Assembly	1	MFG005514S1
2	Channel, Drive Case Base (L)	1	MFG005594LS1
3	Channel, Drive Case Base (R)	1	MFG005594RS1
4	Angle, Base Channel Support	2	MFG005593S1
5	Assy, Drive Case TA2	1	MFG005599S1
6	Ang, Corner Stand	4	MFG001344S1
7	Channel, Float Band Frame	4	MFG000929S1
8	Channel, Float Adjuster Trunion Block Mount	4	MFG000978S1
9	Block, Float Adjuster Trunion	8	MFG000881S2
10	Trunion, Float Adjuster	4	MFG000997S2
11	Rod, Float Adjuster	4	MFG000393S2
12	Seal, TE V Ring	1	5SLS400400
13	Collar, TE V Ring Shaft	1	MFG005578S2
14	Ang, Corner Stand Base	2	MFG001345S1
15	U-Bolt, 3/8"x 2-1/2"x 3/12"	4	5BLT38212312
16	Eye, Frame Corner Inside Lifting	4	MFG001727S1
17	Stake, Mooring Arm	2	MFG000326S1
18	Brace, Mooring Arm Cross	1	MFG001700S1
19	Pin, Cotter	8	5PINCOTR316134S
20	Assy, Single Clevis	2	MFG001768S1
21	Pin, 3/4" 304SS Mooring Arm/Float Attaching	4	MFG000330S1
22	Assembly, Greased Tail Bearing	1	MFG005918S1
23	Assy, Double Clevis 1"	4	MFG001769S1
24	Arm, Mooring	2	MFG001690S1
25	Bracket, 2" Shallow Lagoon Marm Stake Pivot	2	MFG001273S1
26	Channel, Upper Splash	2	MFG000854S1
27	Pin, Mooring Arm Attaching 1" 316SS	4	MFG001770S2
28	Bolt, 3/4 x 5-1/2 SS	4	5BLT34512NCHXS
29	Shaft, Drive	1	MFG005572S2
30	Shaft, Tail	1	MFG005512S2
31	Rotor	1	MFG000898S1
32	Float, 19" X 8'	1	MFG000371S1F
33	Insulator, Float Band 19"	2	MFG000560
34	Band, Float 19"	2	MFG000841S1
35	Float, 22" X 8'	1	MFG000372S1F
36	Insulator, Float Band 22"	2	MFG000561
37	Band, Float 22"	2	MFG000842S1

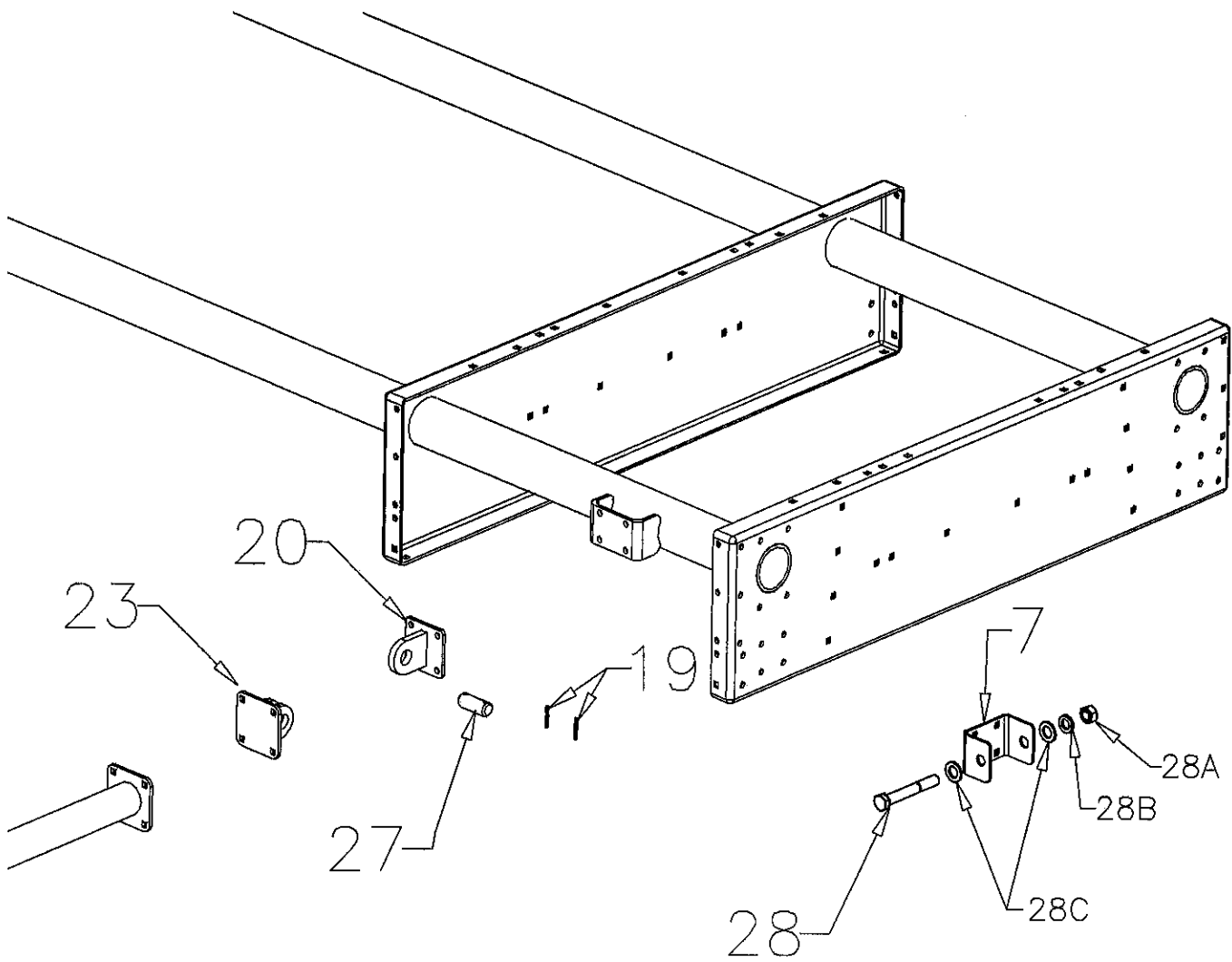


SDB059TA2253050

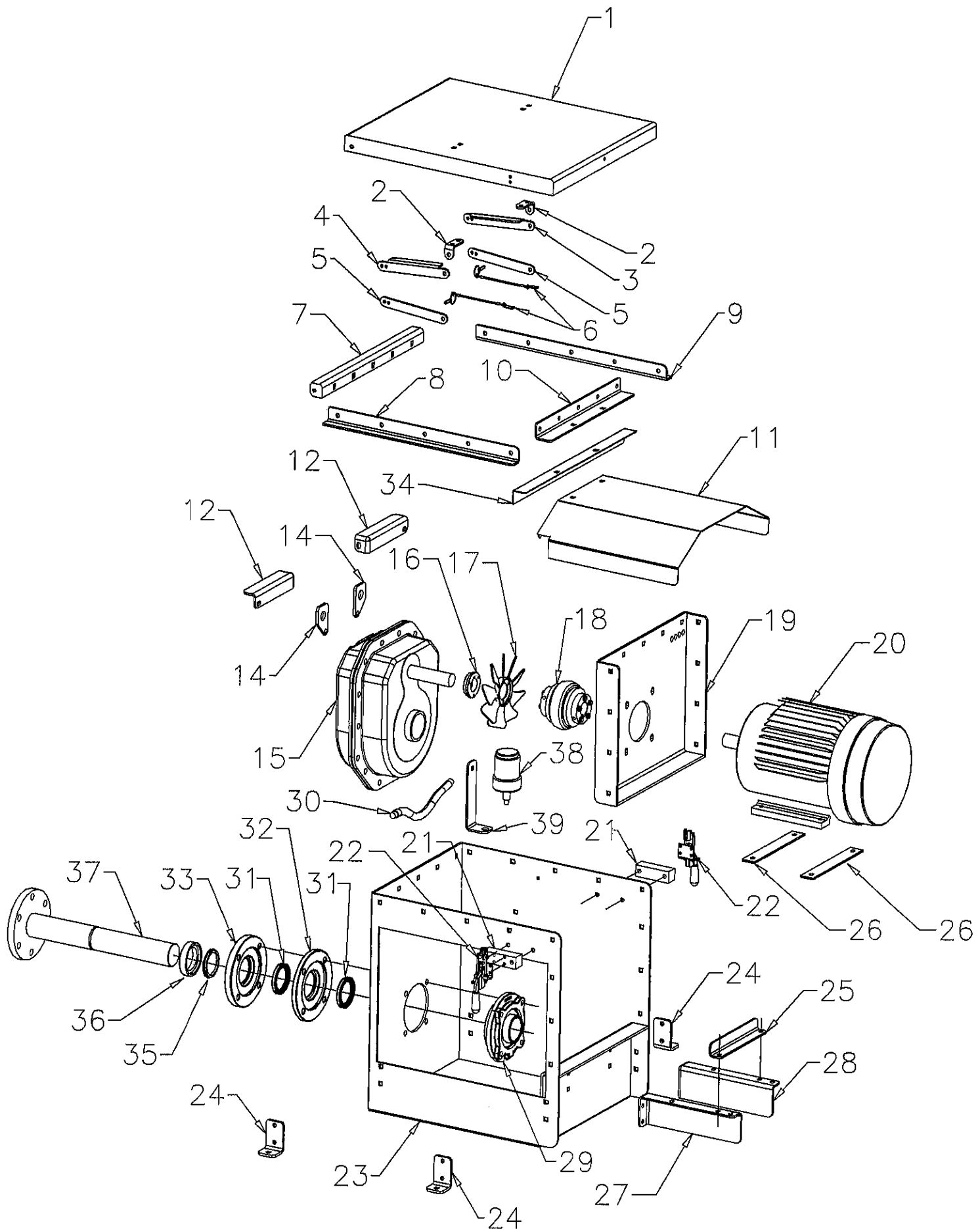
MOORING ARM BRACKET ASSEMBLY		
REF#	DESCRIPTION	PART NUMBER
17	Mooring Arm Stake	MFG000326S1
19	Pin, Cotter	5PINCOTR316134S
23	Assy, Double Clevis 1"	MFG001769S1
25	Bracket, 2" Shallow Lagoon Marm Stake Pivot	MFG001273S1
27	Pin, Mooring Arm Attaching 1" 316SS	MFG001770S2



FLOAT FRAME BRACKET ASSEMBLY		
REF#	DESCRIPTION	PART NUMBER
7	Channel, Float Band Frame	MFG000929S1
19	Pin, Cotter	5PINCOTR316134S
20	Assy, Single Clevis	MFG0017681S1
23	Assy, Double Clevis 1"	MFG001769S1
27	Pin, Mooring Arm Attaching 1" 316SS	MFG001770S2
28	Bolt, 3/4 x 5-1/2" SS	5BLT34512NCHXS
28A	Nut	5NUT34HXBRS
28B	Washer, Lock	5WSHLOCK34S
28C	Washer, Flat	5WSHFLT34S



SDB059TA2253050		
MOTOR BOX ASSEMBLY		
Ref#	DESCRIPTION	PART#
1	Cover, Drive Case	MFG005589S1
2	Angle, Drive Case Cover Tilt	MFG004006S1
3	Angle, Motor Shield Support RH	MFG005558RS1
4	Angle, Motor Shield Support LH	MFG005558LS1
5	Flat, Motor Shield Support	MFG005559S1
6	Pin, Quick Release w/ lanyard	5PINQUIC1412S
7	Angle, Drive Case Hinge	MFG005588S1
8	Angle, Drive Case Upper Left Side	MFG005587LS1
9	Angle, Drive Case Upper Right Side	MFG005587RS1
10	Angle, Motor Channel Upper	MFG005582S1
11	Shield, Motor	MFG005564S1
12	Angle, TA2 Anti Rotation RH	MFG005584RS1
13	Angle, TA2 Anti Rotation LH	MFG005584LS1
14	Eye, Drive Case Lifting	MFG000674S1
15	Reducer, TA2 Gear	MFG005604
16	Hub, TA2 Cooling Fan	MFG005581S1
17	Fan, TA2 Cooling	MFG005469
18	Assembly, Coupler	MFG000695
19	Assembly, Motor Channel	MFG005574S1
20	Motor, 5HP	5MTRTCOE0054
21	Block, Drive Case Cover Clamp	MFG004039S1
22	Clamp, Cover	5EAR514331SS
23	Assembly, Drive Case	MFG005586S1
24	Angle, Drive Case Mounting	MFG004001S1
25	Angle, Motor Adjusting Cross Brace	MFG005567S1
26	Spacer, Motor	MFG005565S1
27	Angle, Motor Adjusting LH	MFG005566LS1
28	Angle, Motor Adjusting RH	MFG005566RS1
29	Bearing, Rotor Flange	5BRG124229
30	Hose, Drain	MFG005596
31	Seal	5SLS0193-03556
32	Plate, Inner Seal	MFG000251S1
33	Plate, Outer Seal	MFG000246S1
34	Angle, Motor Channel Vent Hole Shield	MFG005563S1
35	Seal, DE V Ring	5SLS400400
36	Collar, DE V Ring Shaft	MFG005580S2
37	Shaft, Drive	MFG005572S2
38	Lube Site	5EAR560LUB
39	Angle, Lube Site	MFG005898S1



TAIL BEARING BRACKET ASSEMBLY MFG005918S1

- | | |
|--|----------------|
| 1. CHANNEL, TAIL BEARING BRACKET | MFG005917S1 |
| 2. PANEL, BRACKET LOWER SPLASH | MFG005916S1 |
| 3. COVER, BRACKET FRONT | MFG005913S1 |
| 4. BEARING, TAIL | MFG002291 |
| 5. PLATE, TAIL BEARING SEAL | MFG000273S2 |
| 6. SEAL, TAIL BEARING | 5SLS0150-12184 |
| 7. BOLT 5/8 "x 1- 1/2", (4) TAIL BEARING HEX | 5BLT58112HXBRS |
| 8. LOCKWASHER, 5/8" SS | 5WSHFLT58S |
| 9. ASSEMBLY, BRACKET UPPER COVER | MFG005912S1 |
| 10. COVER, BRACKET UPPER REAR | MFG005914S1 |
| 11. COVER, BRACKET LOWER REAR | MFG005915S1 |
| 12. GREASE FEEDER | 5EAR560LUB |
| 13. BOLT, 1/4" X 1/2" (8) SHOULDER | 5BLT1412SHLDS |
| 14. BOLT 1/4"x 1/2", (4) HEX | 5BLT1412HXS |
| 15. BOLT 3/16"x 1/2", (4) HEX | 5BLT31612HXS |
| 16. BUSHING, BEARING | MFG001392 |

