

revised
8/11/11



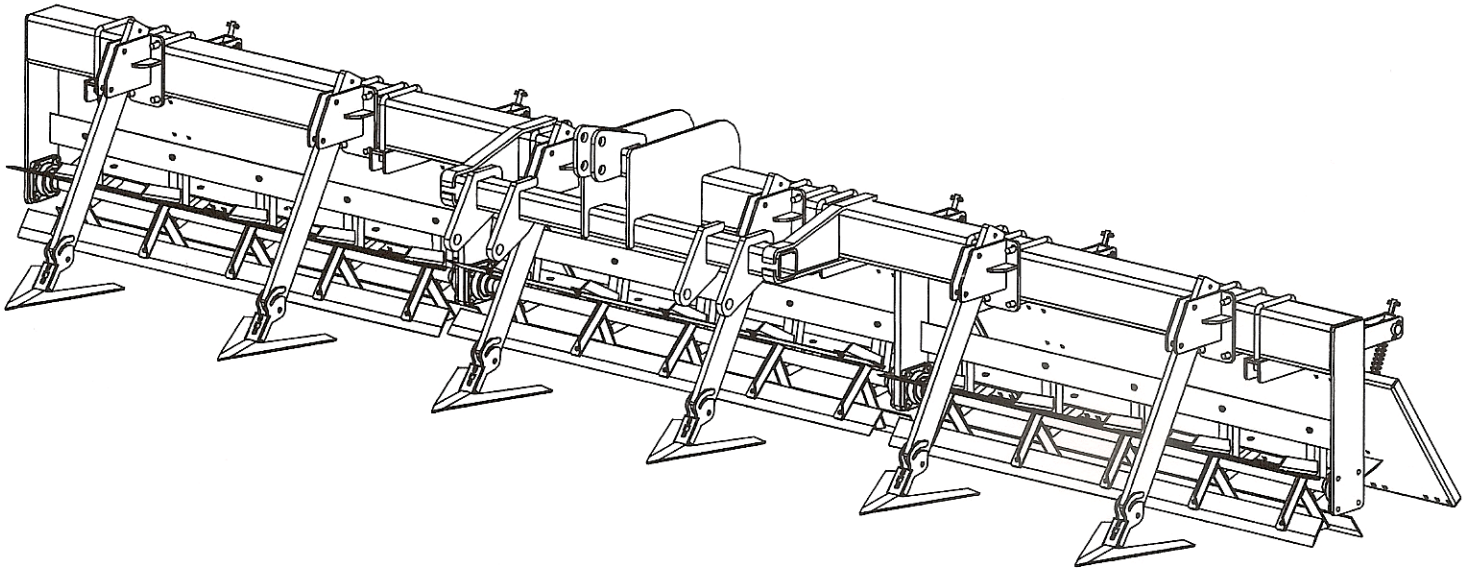
ECS
**House
Industries**

6 Row Tobacco Chopper

38" Row Centers

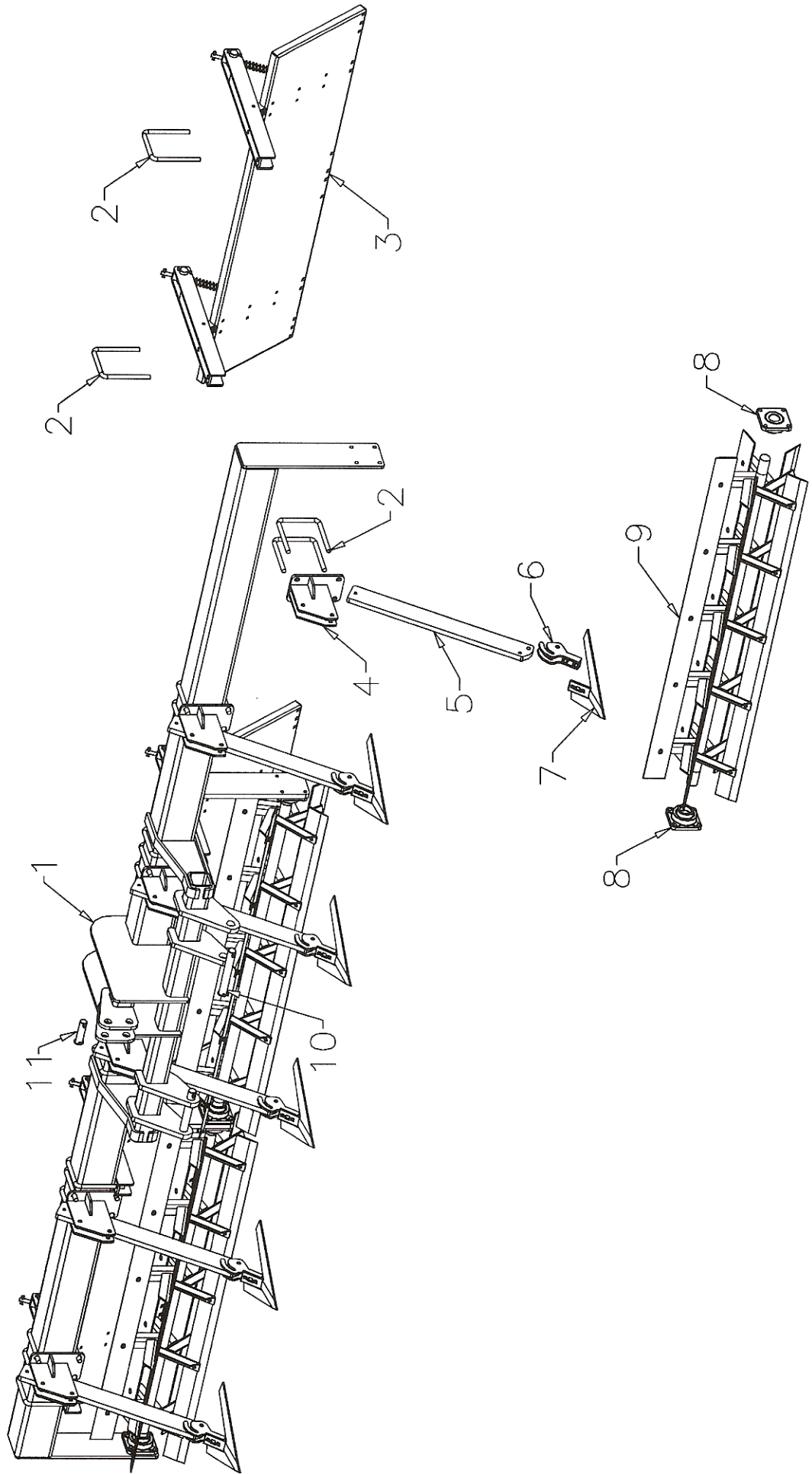
Parts List & Drawings

4/5/11

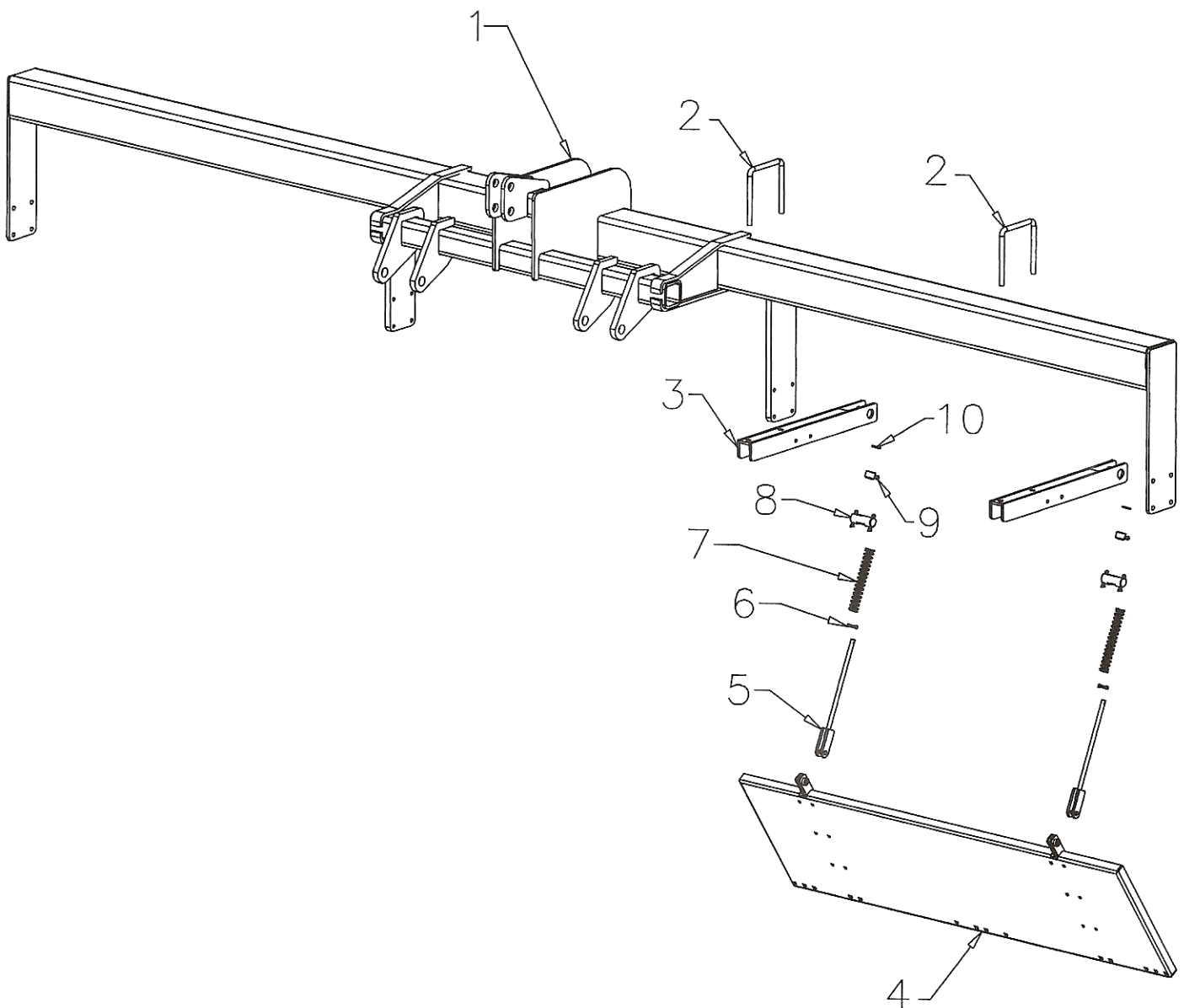


6 ROW TOBACCO CHOPPER			
REF#	DESCRIPTION	QTY	PART NUMBER
1	Assembly, Tobacco Chopper Bar	1	MFG030161
2	U-Bolt, 3/4" x 7" x 7" Sq.	18	8420
3	Assembly, Tobacco Chopper Rear Shield	3	MFG030192
4	Bracket, Bed Shank Mount	6	1978
5	Shank, Straight Bed Sweep	6	1958-35
6	Foot, Middle Master	6	1090
7	16" Sweeps	6	1096
8	Bearing, Flange	6	3816
9	Assembly, Reel	3	3782
*	Blade Only		3813
10	Pin, Lower Hitch	2	3767
11	Pin, Mast	1	3761

6 ROW TOBACCO CHOPPER



TOBACCO CHOPPER BAR		
REF#	DESCRIPTION	PART NUMBER
1	Assembly, Tobacco Chopper Bar	MFG030161
2	U-Bolt, 3/4" x 7" x 7" Sq.	8420
3	Assembly, Shield Mounting Channel	MFG030134
4	Assembly, Rear Shield	MFG030192
5	Rod, Spring Guide	1684
6	Pin, Cotter	8398
7	Spring, Compression	8910
8	Pin, Spring Pivot	MFG030147
9	Collar, Guide Rod Lock w/ set screw	1685
10	Washer, Flat 5/8"	5WSHFLT58



TOBACCO CHOPPER SHIELD		
REF#	DESCRIPTION	PART NUMBER
1	Bushing, Upper Shield Clevis Ear	4506
2	Assembly, Shield Mounting Clevis	MFG030140
3	Shield, 77" Rear	MFG030157
4	Angle, LH Shield Mounting	MFG030125L
5	Angle, RH Shield Mounting	MFG030125R

