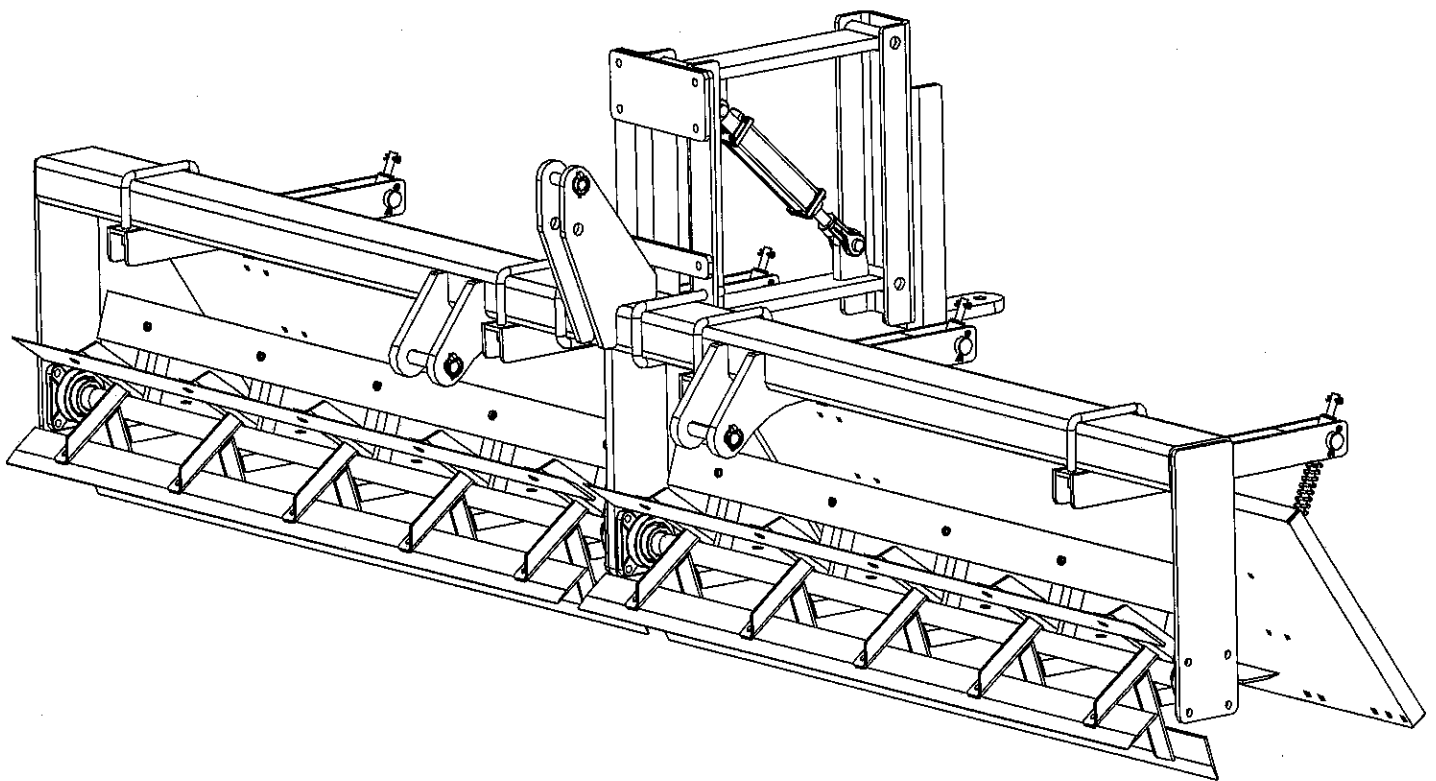


ECS
**House
Industries**

3PT Lift Conditioner With Hyd Hitch
4 Row 38" Centers

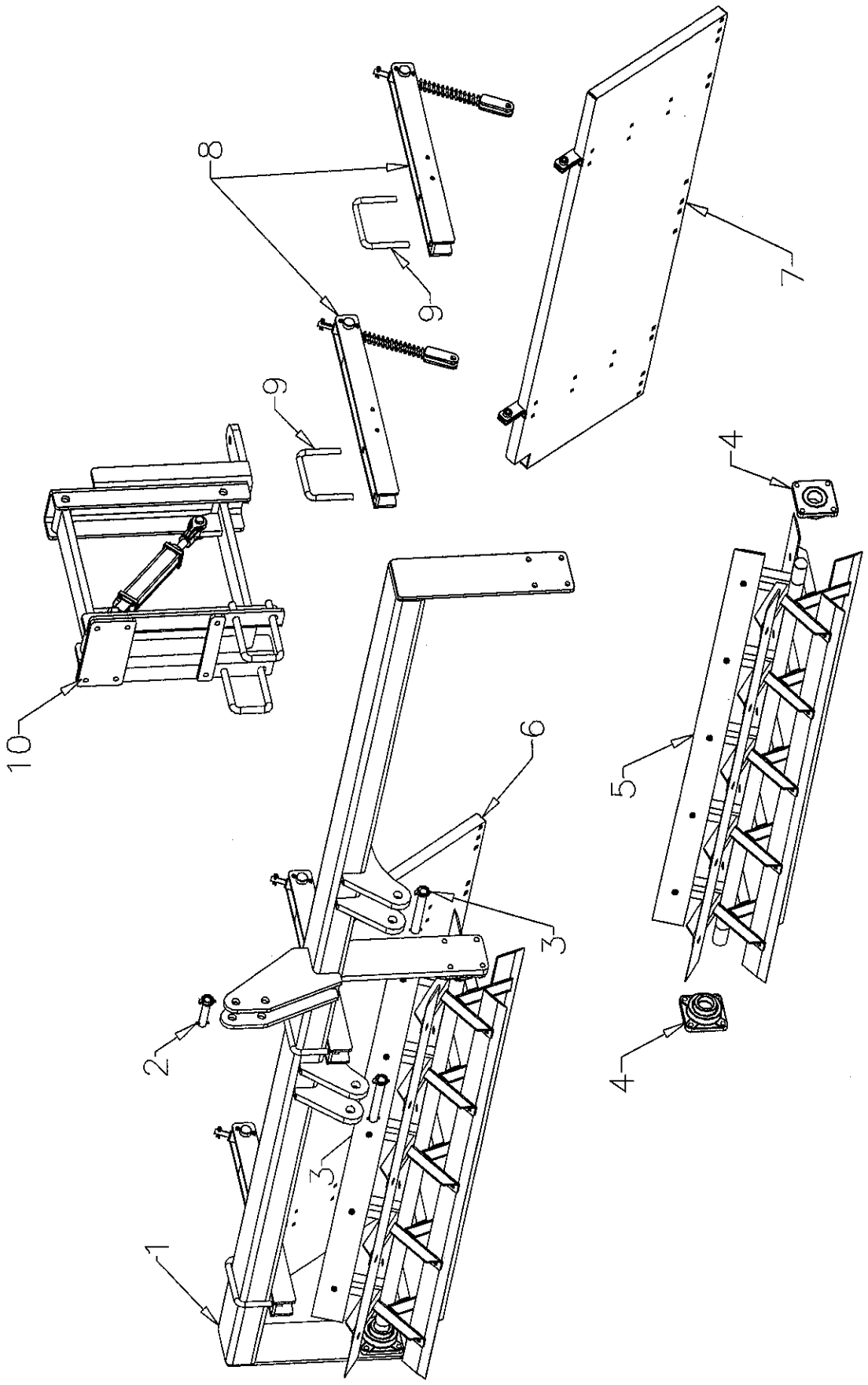
0103

Parts List & Drawings
8/15/2011

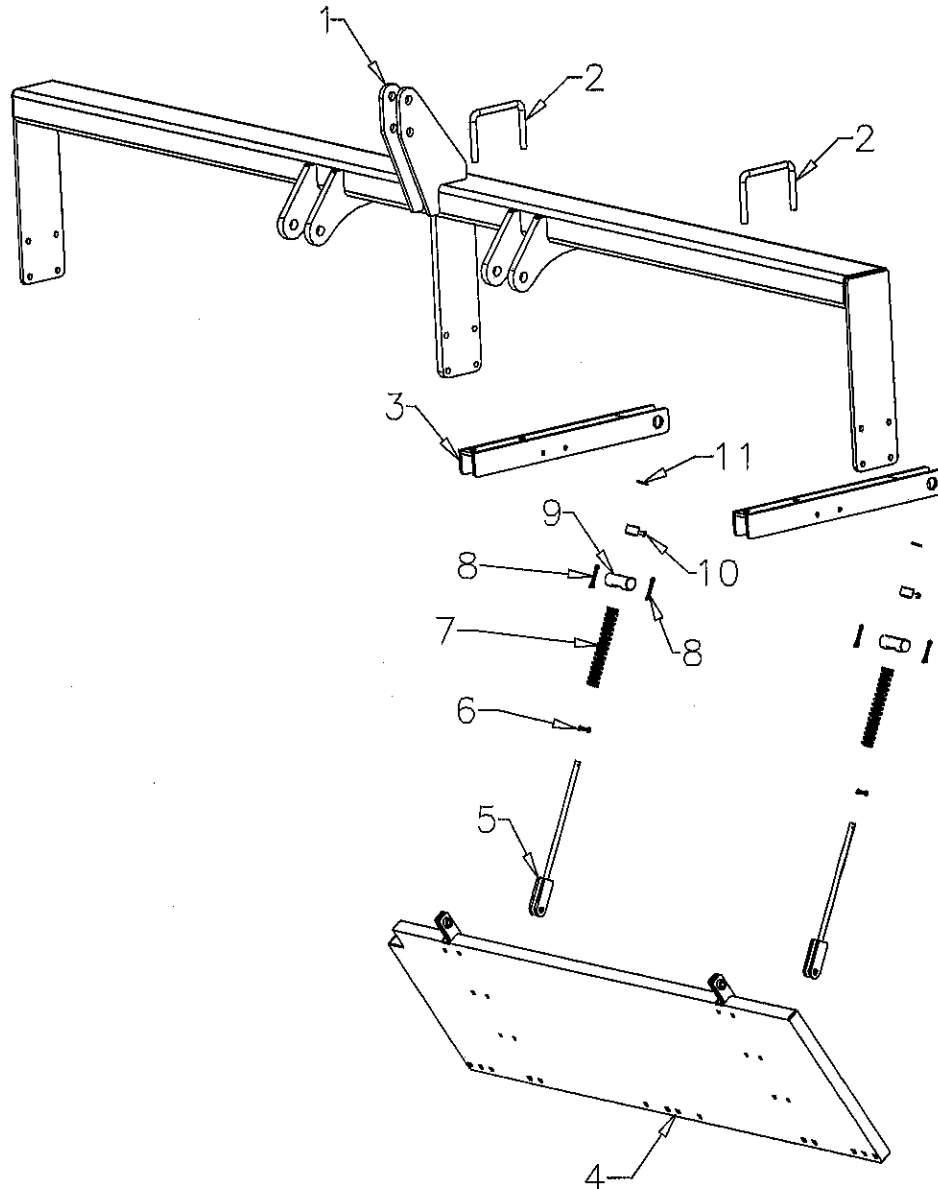


3PT Lift Conditioner W/Hyd Hitch			
REF#	DESCRIPTION	QTY	PART NUMBER
1	Assembly, 3PT Lift Conditioner Bar	1	MFG030197
2	Pin, Mast	1	3760
3	Pin, Lower Hitch	2	2673
4	Bearing, Flange	4	3816
5	Assembly, Reel	2	3782
*	Blade Only	10	3813
6	Assembly, 3PT Lift Conditioner 77" LH Rear Shield	1	MFG030216L
7	Assembly, 3PT Lift Conditioner 77" RH Rear Shield	1	MFG030216R
8	Assy, Double Mount Rear Shield Mounting Channel	2	MFG030195
9	U-Bolt, 3/4" x 4" x 7" Sq.	4	8531
10	Assy, Hydraulic Hitch	1	MFG030198

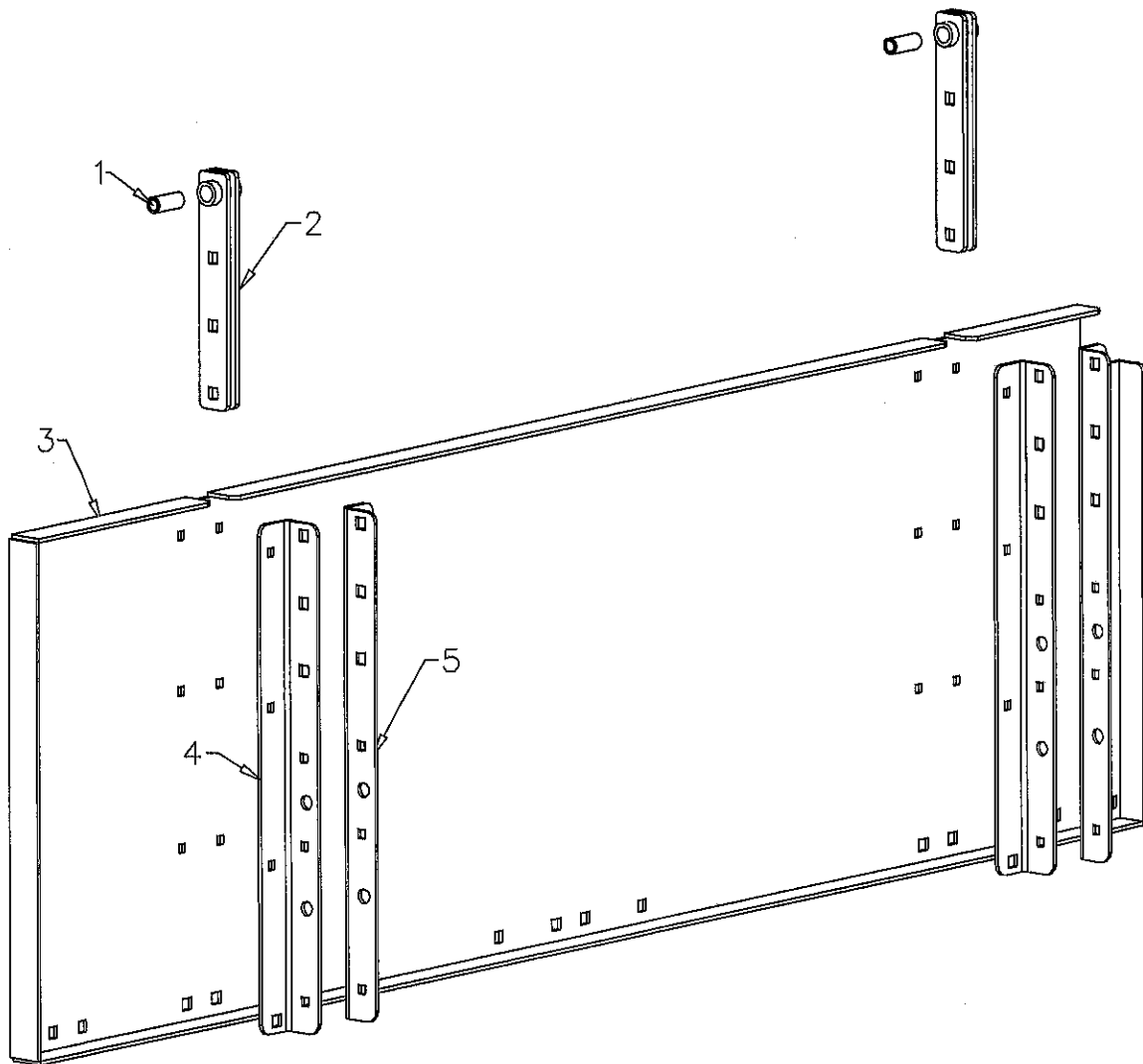
3PT LIFT CONDITIONER WITH HYD HITCH



3PT Lift Conditioner Bar		
REF#	DESCRIPTION	PART NUMBER
1	Assembly, 3PT Lift Conditioner Bar	MFG030197
2	U-Bolt, 3/4" x 4" x 7" Sq.	8531
3	Assembly, Shield Mounting Channel	MFG030134
4	Assembly, 77" RH Rear Shield	MFG030216R
5	Rod, Spring Guide	1684
6	Pin, 3/16" Cotter	8398
7	Spring, Compression	8910
8	Pin, 1/4" Cotter	8351
9	Pin, Spring Pivot	MFG030147
10	Collar, Guide Rod Lock w/ set screw	1685
11	Washer, Flat 5/8"	5WSHFLT58



3PT Lift Conditioner Shield		
REF#	DESCRIPTION	PART NUMBER
1	Bushing, Upper Shield Clevis Ear	4506
2	Assembly, Shield Mounting Clevis	MFG030140
3	Assembly, 77" RH Rear Shield	MFG030216R
4	Angle, LH Shield Mounting	MFG030125L
5	Angle, RH Shield Mounting	MFG030125R



Hydraulic Hitch		
REF#	DESCRIPTION	PART NUMBER
1	U-Bolt, 7/8" x 4" x 9"	8422
2	Plate, Upper Hyd. Hitch Support	MFG030199
3	Plate, Lower Hyd. Hitch Support	MFG030200
4	Angle, Front Hyd. Hitch RH Mounting	MFG030201R
5	Angle, Front Hyd. Hitch LH Mounting	MFG030201L
6	Link, Parallel	1687
7	Bushing 1 1/4" x 1" x 5 1/2" Long	1691
8	Cylinder, 2" x 8" Double Action	1524
9	Channel, Rear Hyd. Hitch Mounting	MFG030202
10	Assy, Rear Hyd. Hitch	MFG030205

