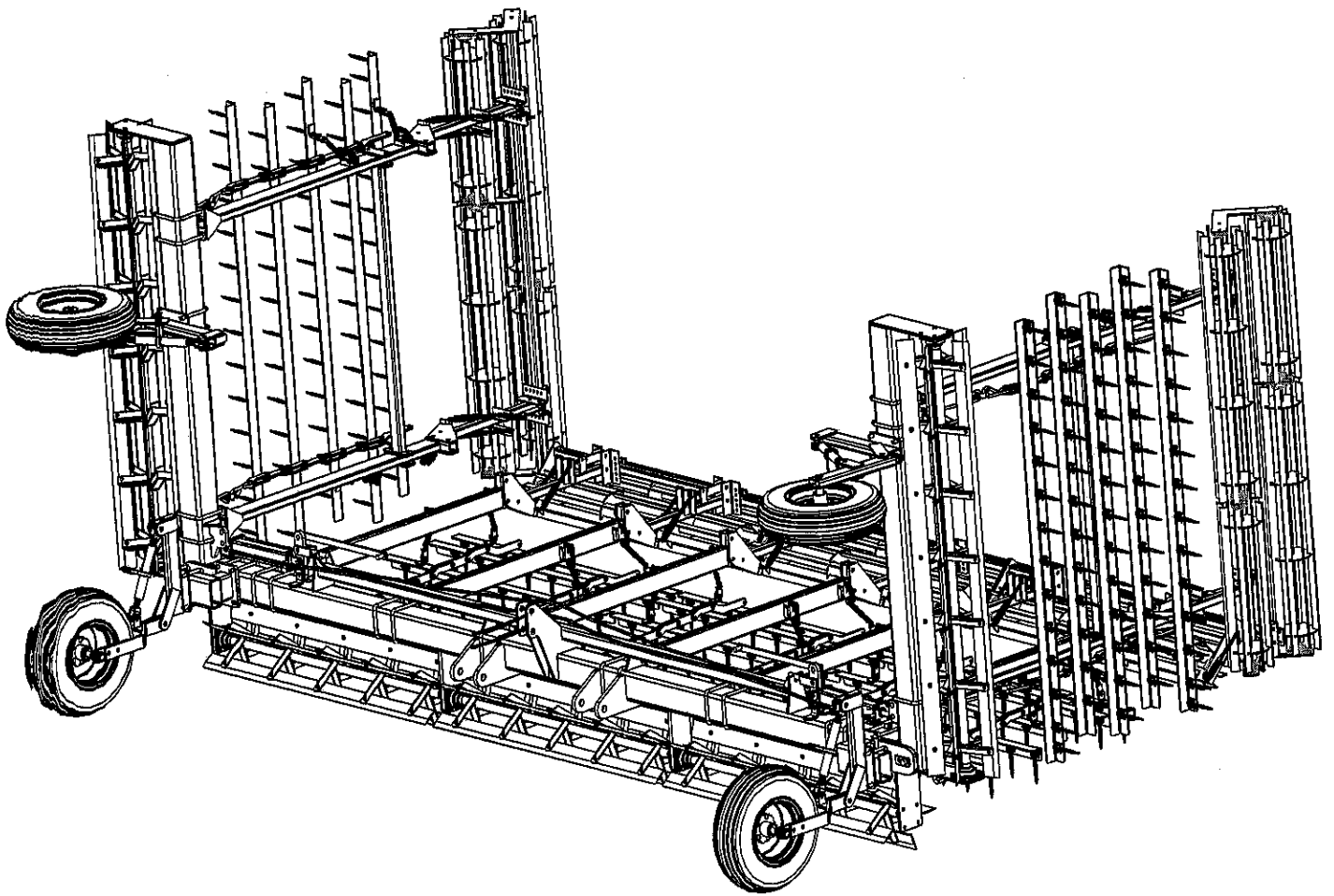


ECS  
**House  
Industries**

3PT Lift Reel Pulverizer  
12 Row 38" Centers  
0384F3P-5HFBG

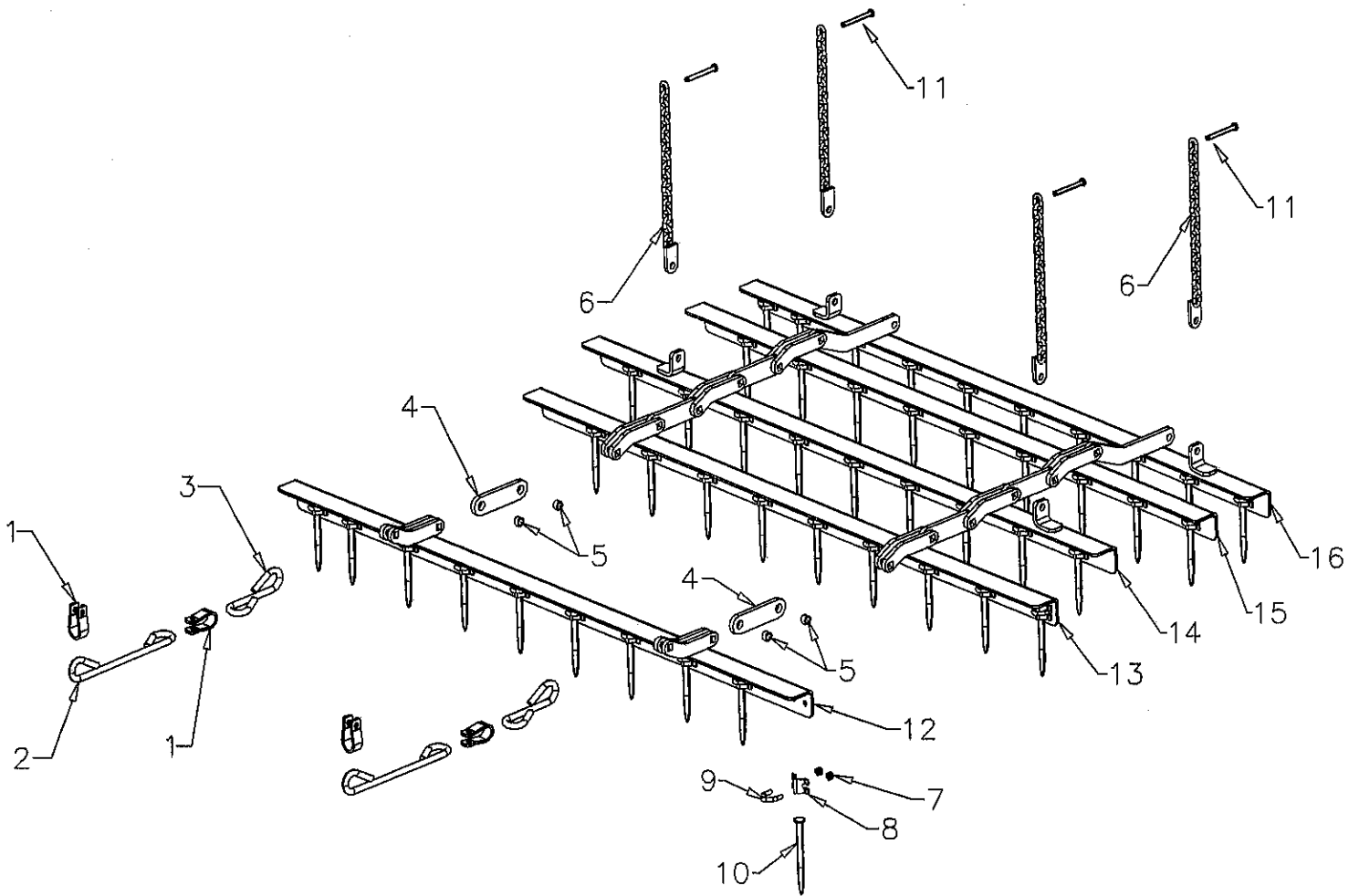
Parts List & Drawings  
2/21/2012



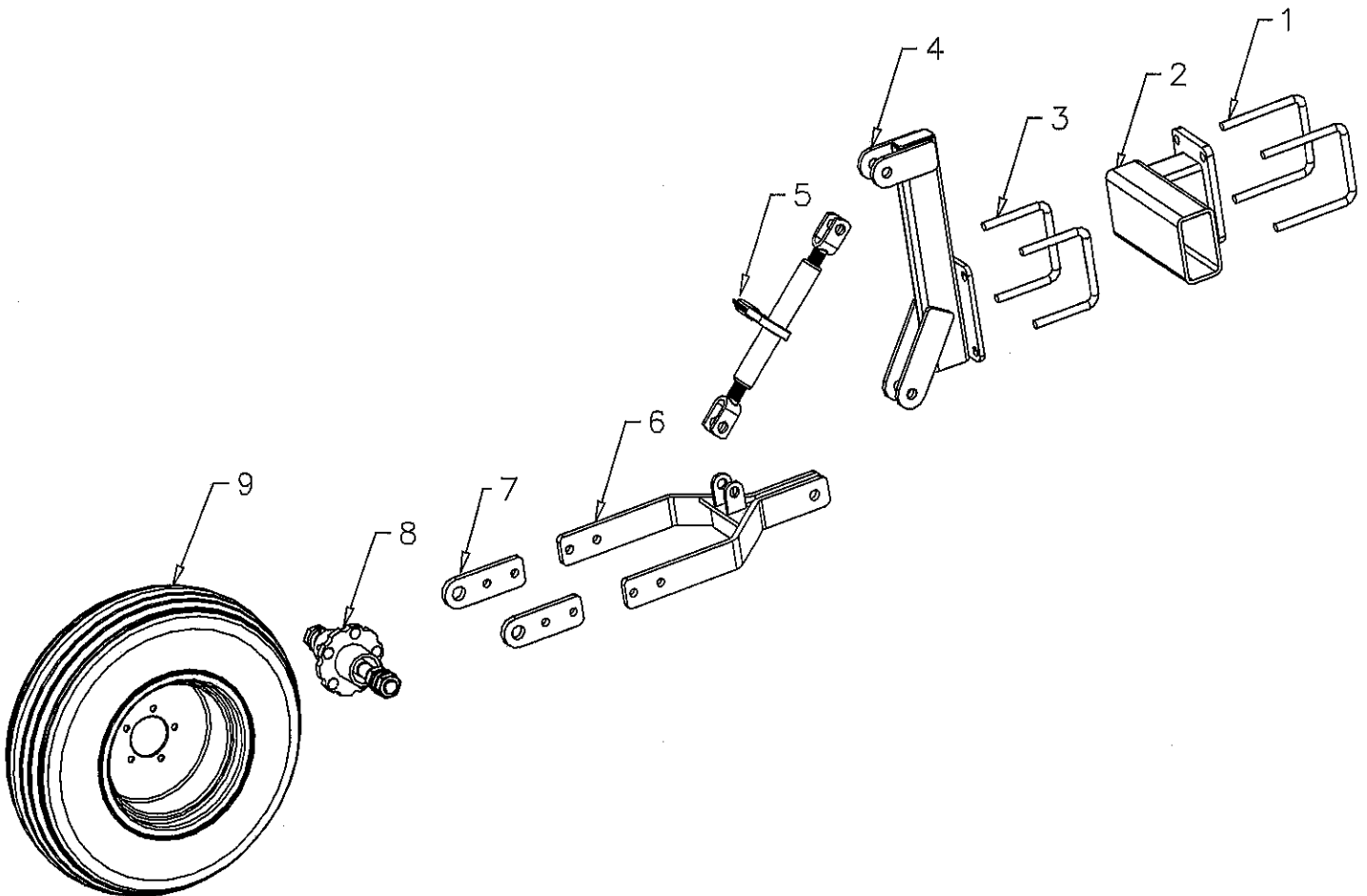
<b>12 ROW 3PT LIFT PULVERIZER CENTER</b>			
<b>REF#</b>	<b>DESCRIPTION</b>	<b>QTY</b>	<b>PART NUMBER</b>
1	Assembly, Pulverizer Center Bar	1	MFG030219
2	Bar, Lift Type Harrow Hanger LH	3	4491L
3	Bar, Lift Type Harrow Hanger RH	3	4491R
4	U-Bolt, 3/4" x 7" x 7" Sq.	12	8420
5	Mount, Basket Arm	6	4571
6	Arm, 31" Basket Mounting	6	5038
7	Link, Basket Adjustment	6	1939
8	Angle, LH Basket Frame Attachment	6	4574
9	Angle RH Basket Frame Attachment	6	4573
10	Clamp, Basket Linkage	12	4396
11	Chain 3/16" 10 Links Long	12	4335
12	Spring, Basket Linkage	12	4336
13	Assembly, 76" Spiral Bar Basket	3	1993
14	Assy, 6' HD Flex Harrow	3	MFG030217
15	Bolt, 1 1/2" x 10" Folding Toolbar Hinge	2	MFG030286
16	Assembly, 75" Reel	3	3782
*	Blade Only	15	3813
17	Bearing, Flange	6	3816
18	Cylinder	2	1460
19	Pivot, Toolbar Cylinder	2	1622
20	Link, Safty	2	1644
21	Assembly, Allthread Adjustment Clevis	2	8451
22	Pin, 1" x 3-1/4"	4	MFG030139
23	Assembly, Hydraulic Hose	1	MFG030221
24	Pin, Mast	1	3761
25	Pin, Lower Hitch	2	4809
26	Wheel, H.D. Fork Gauge w/15" wheels less tires	2	0717 -



75" HARROW ASSEMBLY		
REF#	DESCRIPTION	PART NUMBER
1	Clevis, Harrow Pull	1010
2	Draglink 15"	3278
3	Link, Harrow Twisted Double Eye	1031
4	Link, Center	1028
5	Bushing, Harrow	1099
6	Chain, Harrow Lift - 21" Long	2025
7	Nut, 7/16" Center Lock N/C	8302
8	Pad, Harrow Tooth	1025
9	U-Bolt 7/16"	1026
10	Tooth, Harrow	1024
11	Pin, Lock	2724
12	Bar, #1-10 Tooth Harrow	MFG030227
13	Bar, #2-9 Tooth Harrow	MFG030228
14	Bar, #3-9 Tooth Harrow	MFG030229
15	Bar, #4-9 Tooth Harrow	MFG030230
16	Bar, #5-10 Tooth Harrow	MFG030231

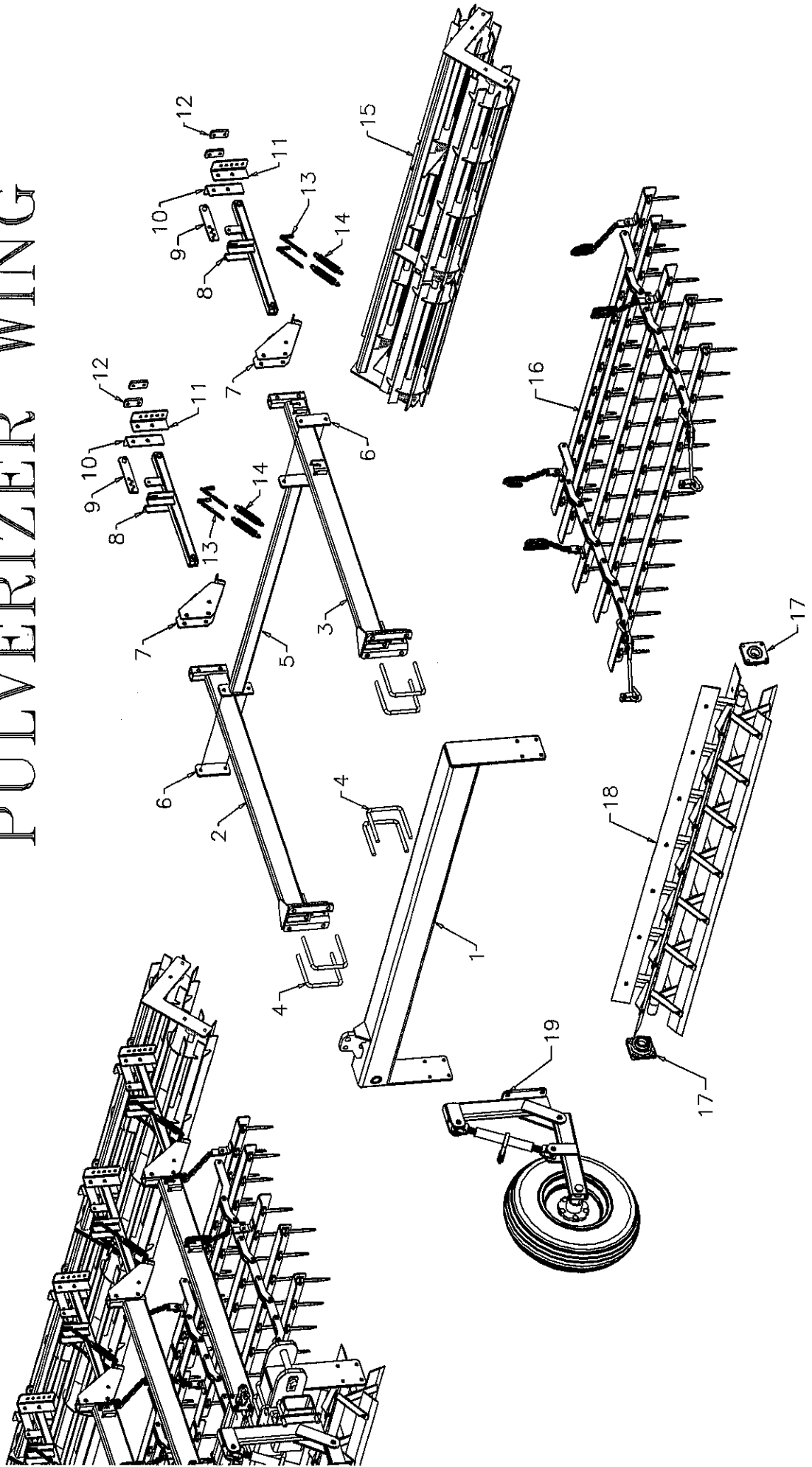


Heavy Duty Gauge Wheel		
REF#	DESCRIPTION	PART NUMBER
1	U-Bolt, 7/8" x 7" x 7" Sq.	8421
2	Bracket, L-Shank / GA Wheel Ext.	6138
3	U-Bolt, 3/4" x 7" x 4" Sq.	8531
4	Bracket,HD Gauge Wheel	4507
5	Jack, Turnbuckle	8450
6	Fork, Heavy Duty Gauge Wheel	3522
7	Plate, Gauge Wheel Fork Side	3523
8	Hub, Gauge Wheel	9080
9	Wheel, 15" x 5" - 5 Hole / Less Tire	9041

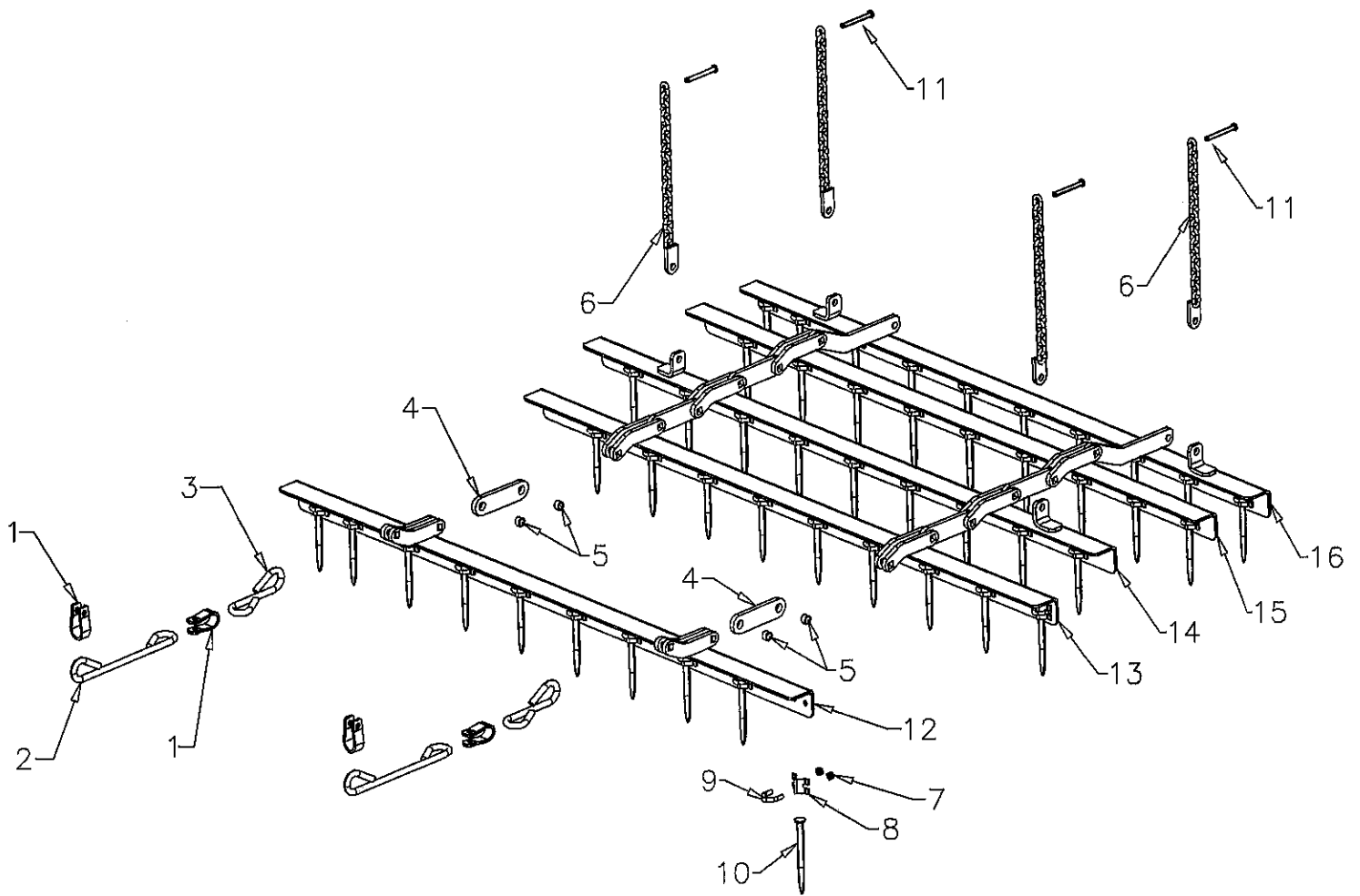


<b>PULVERIZER WING</b>			
<b>REF#</b>	<b>DESCRIPTION</b>	<b>QTY</b>	<b>PART NUMBER</b>
1	Assembly, Pulverizer Wing	1	MFG030220
2	Bar, Lift Type Harrow Hanger LH	1	4491L
3	Bar, Lift Type Harrow Hanger RH	1	4491R
4	U-Bolt, 3/4" x 7" x 7" Sq.	6	8420
5	Assy, Pulverizer Wing Rear Cross Brace	1	MFG030288
6	Plate, Pulverizer Wing Rear Cross Brace Clamp	2	MFG030289
7	Mount, Basket Arm	2	4571
8	Arm, 31" Basket Mounting	2	5038
9	Link, Basket Adjustment	2	1939
10	Angle, LH Basket Frame Attachment	2	4574
11	Angle RH Basket Frame Attachment	2	4573
12	Clamp, Basket Linkage	4	4396
13	Chain 3/16" 10 Links Long	4	4335
14	Spring, Basket Linkage	4	4336
15	Assembly, 108" Spiral Bar Basket	1	1909
16	Assy, 9' HD Flex Harrow	1	MFG030218
17	Bearing, Flange	2	3816
18	Assembly, 106 1/4" Reel	1	1950
*	Blade Only		1951
19	Wheel, H.D. Offset Gauge RH w/15" wheels less tires	1	0307R
*	Wheel, H.D. Offset Gauge RH w/15" wheels less tires	1	0307L

# PULVERIZER WING



107" HARROW ASSEMBLY		
REF#	DESCRIPTION	PART NUMBER
1	Clevis, Harrow Pull	1010
2	Draglink 15"	3278
3	Link, Harrow Twisted Double Eye	1031
4	Link, Center	1028
5	Bushing, Harrow	1099
6	Chain, Harrow Lift - 21" Long	2025
7	Nut, 7/16" Center Lock N/C	8302
8	Pad, Harrow Tooth	1025
9	U-Bolt 7/16"	1026
10	Tooth, Harrow	1024
11	Pin, Lock	2724
12	Bar, #1-14 Tooth Harrow	MFG030237
13	Bar, #2-13 Tooth Harrow	MFG030238
14	Bar, #3-13 Tooth Harrow	MFG030239
15	Bar, #4-13 Tooth Harrow </td <td>MFG030240</td>	MFG030240
16	Bar, #5-14 Tooth Harrow	MFG030241





Offset Gauge Wheel		
REF#	DESCRIPTION	PART NUMBER
1	U-Bolt, 3/4" x 7" x 7" Sq.	8420
2	Bracket, HD Gauge Wheel	4507
3	Jack, Turnbuckle	8450
4	Bracket, Offset Gauge Wheel RH	2741
*	Bracket, Offset Gauge Wheel LH	2742
5	Hub, Gauge Wheel	9032
6	Wheel, 15" x 5" - 5 Hole / Less Tire	9041

