

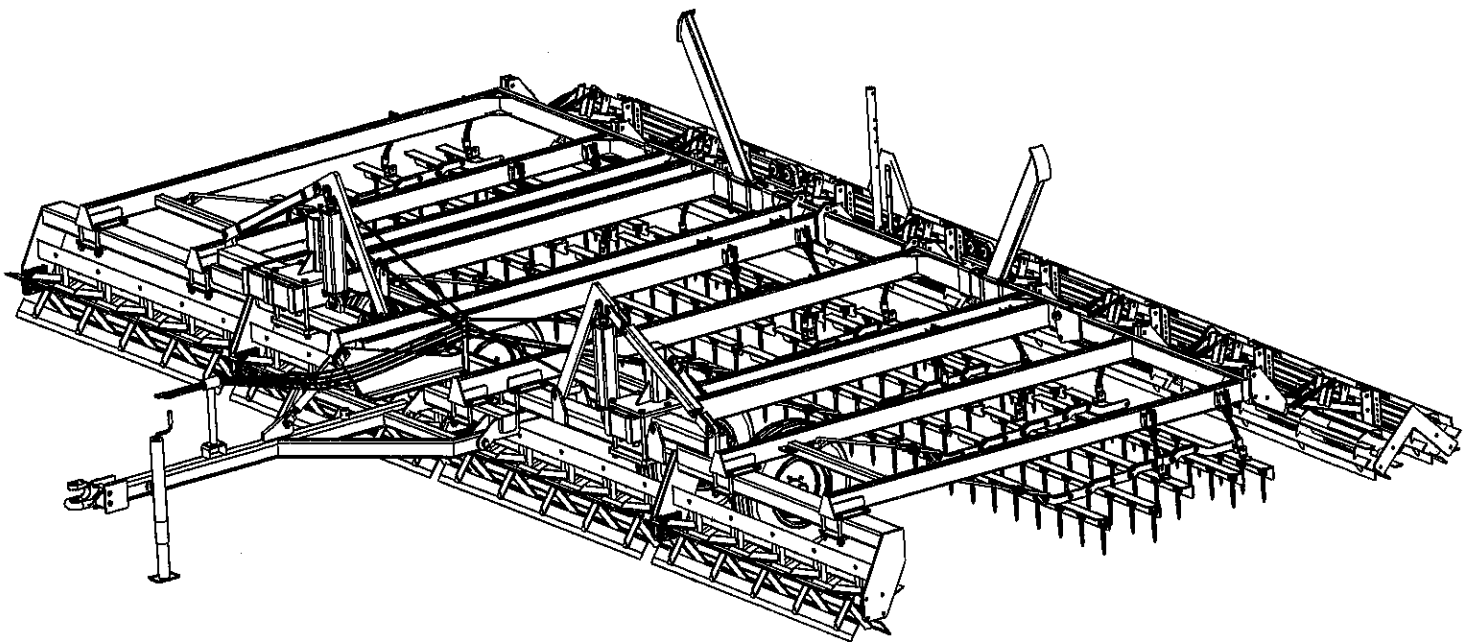
ECS
**House
Industries**
INCORPORATED

26' PULL TYPE PULVERIZER

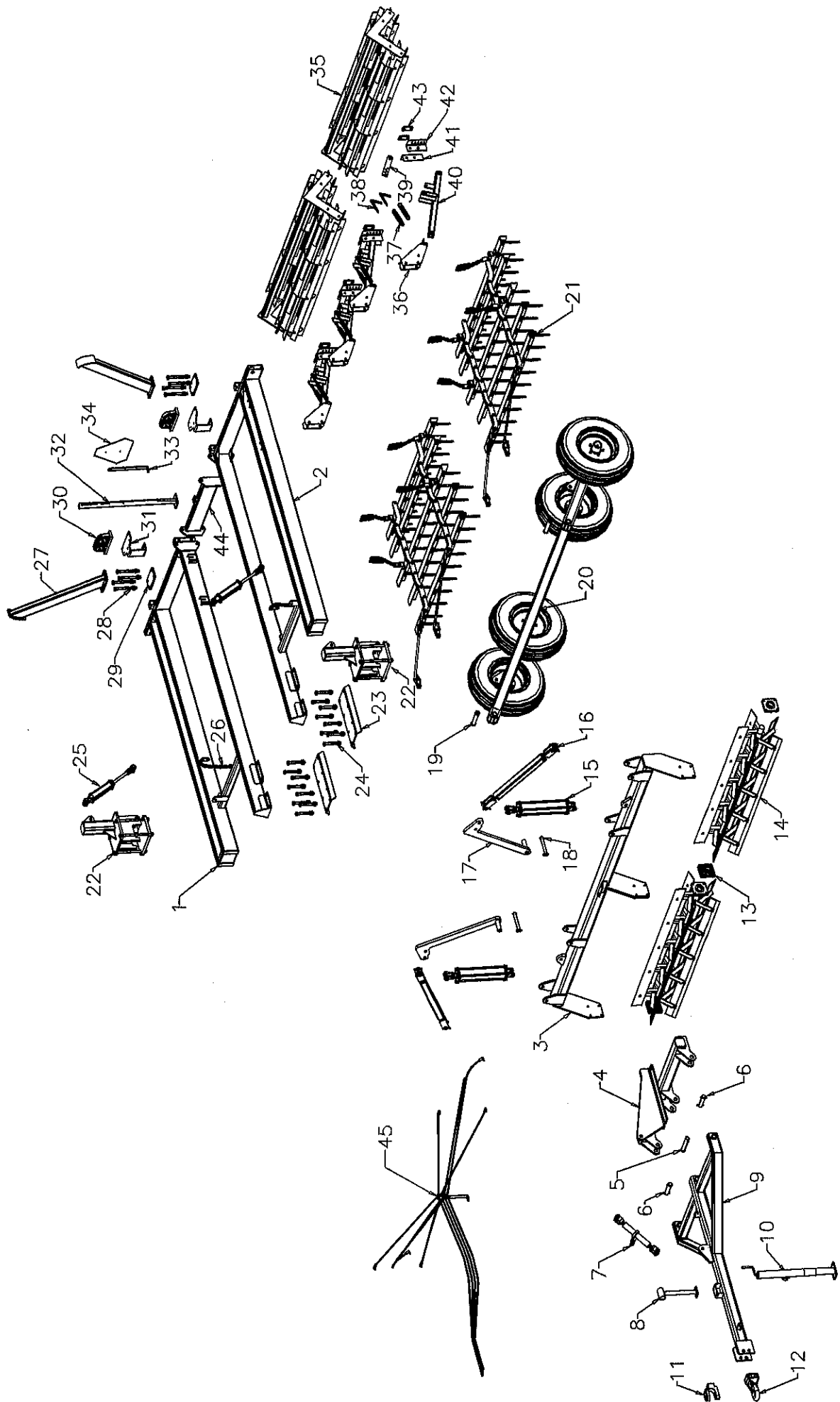
0264FRP

Parts List & Drawings

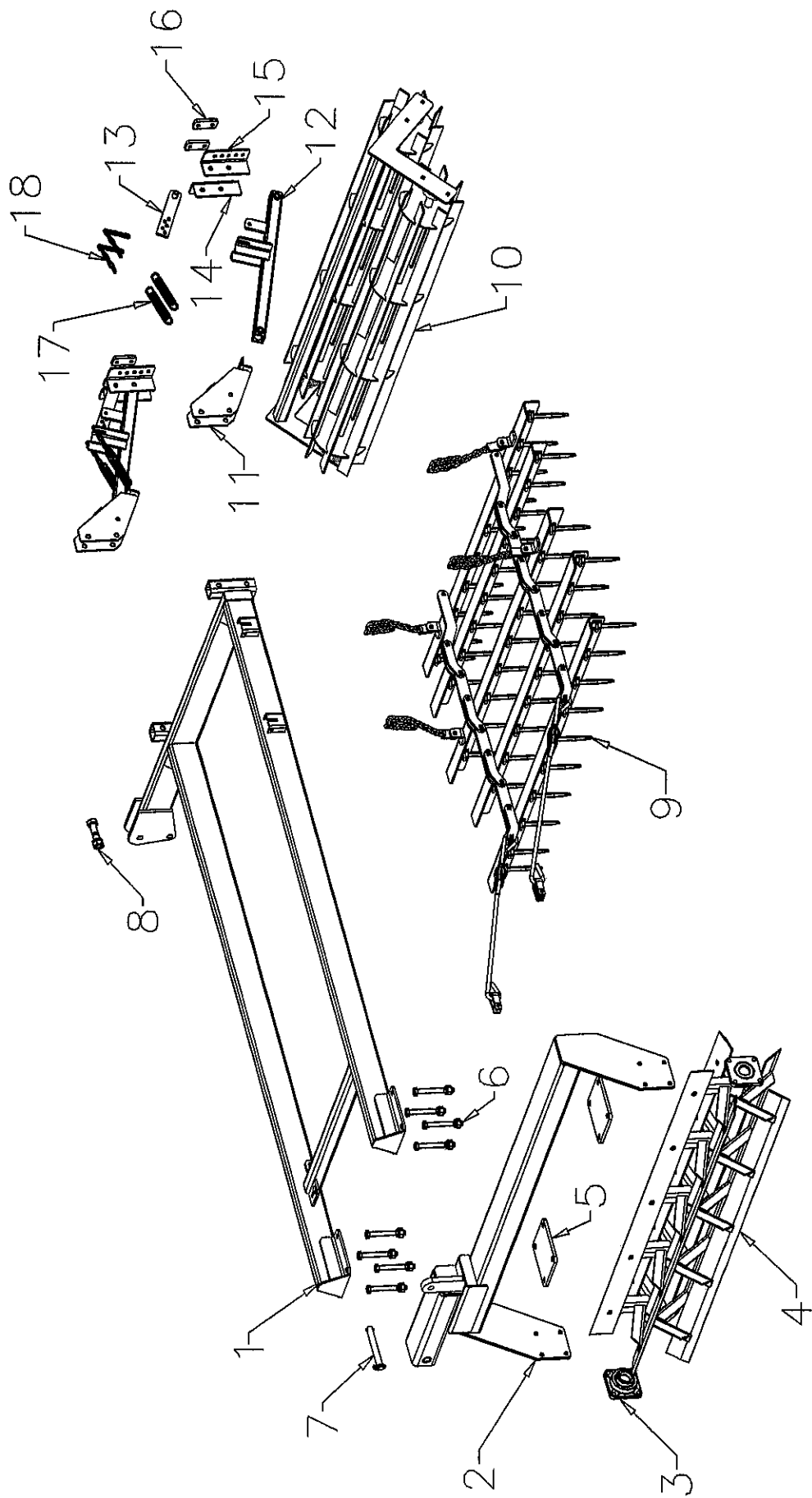
03/28/2013



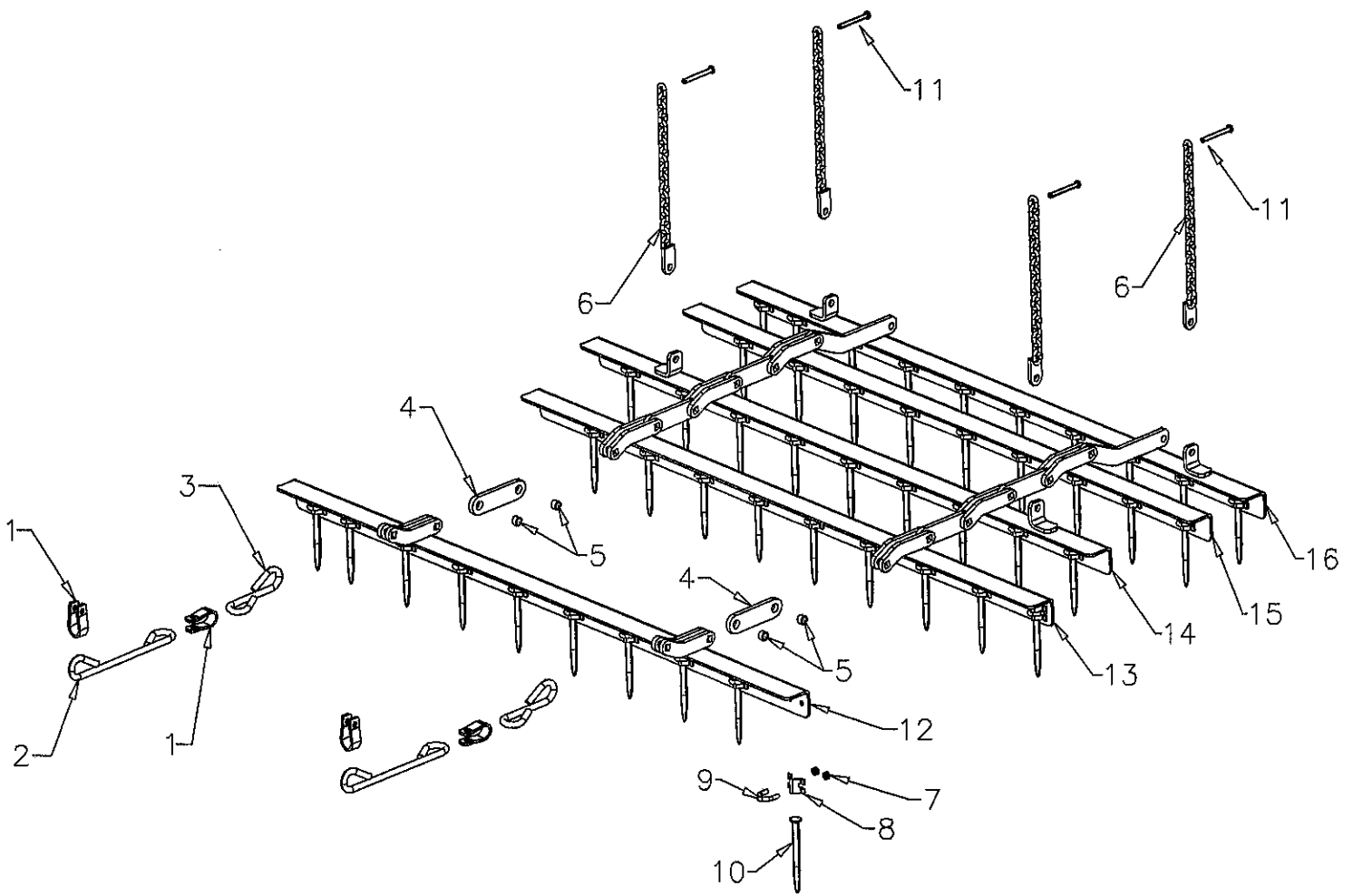
26' PULL TYPE PULVERIZER CENTER			
REF#	DESCRIPTION	QTY	PART NUMBER
1	Assembly, 26' Pull Type Pulverizer Top Frame LH	1	MFG030513L
2	Assembly, 26' Pull Type Pulverizer Top Frame RH	1	MFG030513R
3	Assembly, 26' Pull Type Pulv Box Frame	1	MFG030514
4	Assembly, Hitch Attachment	1	MFG030455
5	Pin, Center Tongue Tube	1	MFG030433
6	Pin, Outer Tongue Tube	2	MFG030386
7	Jack, Turnbuckle	1	8450
8	Assembly, Hydraulic Hose Stand	1	MFG030425
9	Assembly, Pull Type Pulverizer Tongue	1	MFG030456
10	Jack, Top Wind	1	5PORTWL158
11	Hitch, Perfect CAT3	1	8985
12	Clevis	1	8986
13	Bearing, Flange	4	3816
14	Assembly, 75" Reel	2	3782
*	Blade Only	10	3813
15	Cylinder	2	1470
16	Link, 28" Adjustment Lift	2	4743
17	Assembly, Offset Lift Arm	2	4742
18	Pin, 1" x 8-1/2"	2	MFG030393
19	Pin, Transport Wheel Pivot	2	MFG030384
20	Assembly, 26' Pull Type Pulverizer Transport Axle Complete	1	MFG030515
21	Assembly, 6' HD Flex Harrow	2	MFG030217
22	Assembly, Transport Axle Mounting Bracket Complete	2	MFG030512
23	Channel, Pull Type Hitch Attachment Support	2	MFG030401
24	Bolt, 3/4 x 6-1/2"	16	8108
25	3 1/2" x 10" Cylinder	2	1285
26	Folding Unit Safety Chain	2	4019
27	Support, Rear Wing	2	4794
28	Bolt, 3/4 x 8"	8	8112
29	Plate, Do-All Rear Wing Support Clamp	2	MFG030300
30	Lights, Transport	2	5FEQ
31	Bracket, Transport Light Mounting	2	MFG030505
32	Assembly, Stand Pipe	1	1621
33	Bracket, Slow Moving Vehicle Sign	1	MFG030504
34	Sign, Slow Moving Vehicle	1	5FEQSMVS
35	Assembly, 76" Spiral Bar Basket	2	1993
36	Mount, Basket Arm	4	4571
37	Spring, Basket Linkage	8	4336
38	Chain 3/16" 10 Links Long	8	4335
39	Link, Basket Adjustment	4	1939
40	Arm, 31" Basket Mounting	4	5038
41	Angle, LH Basket Frame Attachment	4	4574
42	Angle RH Basket Frame Attachment	4	4573
43	Clamp, Basket Linkage	8	4396
44	Assembly, Rear Box Frame Connecting Tube	1	MFG030517
45	Assembly, 26' Pull Type Pulverizer Hydraulic Hose	1	MFG030518



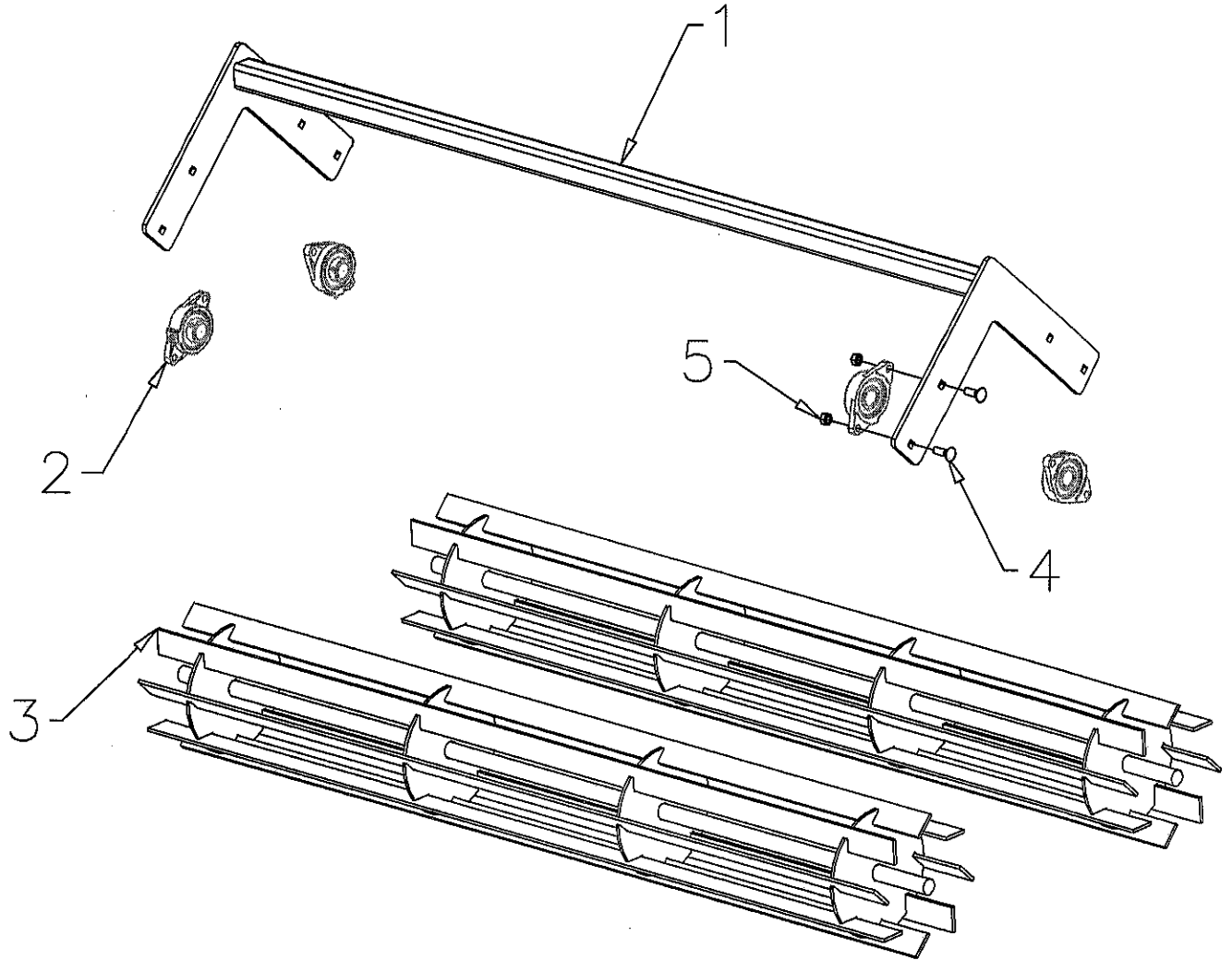
26' PULL TYPE PULVERIZER WING			
REF#	DESCRIPTION	QTY	PART NUMBER
1	Assembly, 26' Pulverizer Top Wing Frame LH	1	
2	Assembly, Wing Box Frame LH	1	
3	Bearing, Flange	2	3816
4	Assembly, 75" Reel	1	3782
*	Blade Only	5	3813
5	Plate, Box Frame Bar Mounting Angle Clamp	2	MFG030411
6	Bolt, 3/4 x 6-1/2"	8	8108
7	Pin, 1" x 8-1/2" Do-All Center Bar Wing Tube	1	MFG030393
8	1" x 4 1/2" Hex Bolt	1	8132
9	Assembly, 6' HD Flex Harrow	1	MFG030217
10	Assembly, 76" Spiral Bar Basket	1	1993
11	Mount, Basket Arm	2	4571
12	Arm, 31" Basket Mounting	2	5038
13	Link, Basket Adjustment	2	1939
14	Angle, LH Basket Frame Attachment	2	4574
15	Angle RH Basket Frame Attachment	2	4573
16	Clamp, Basket Linkage	4	4396
17	Spring, Basket Linkage	4	4336
18	Chain 3/16" 10 Links Long	4	4335



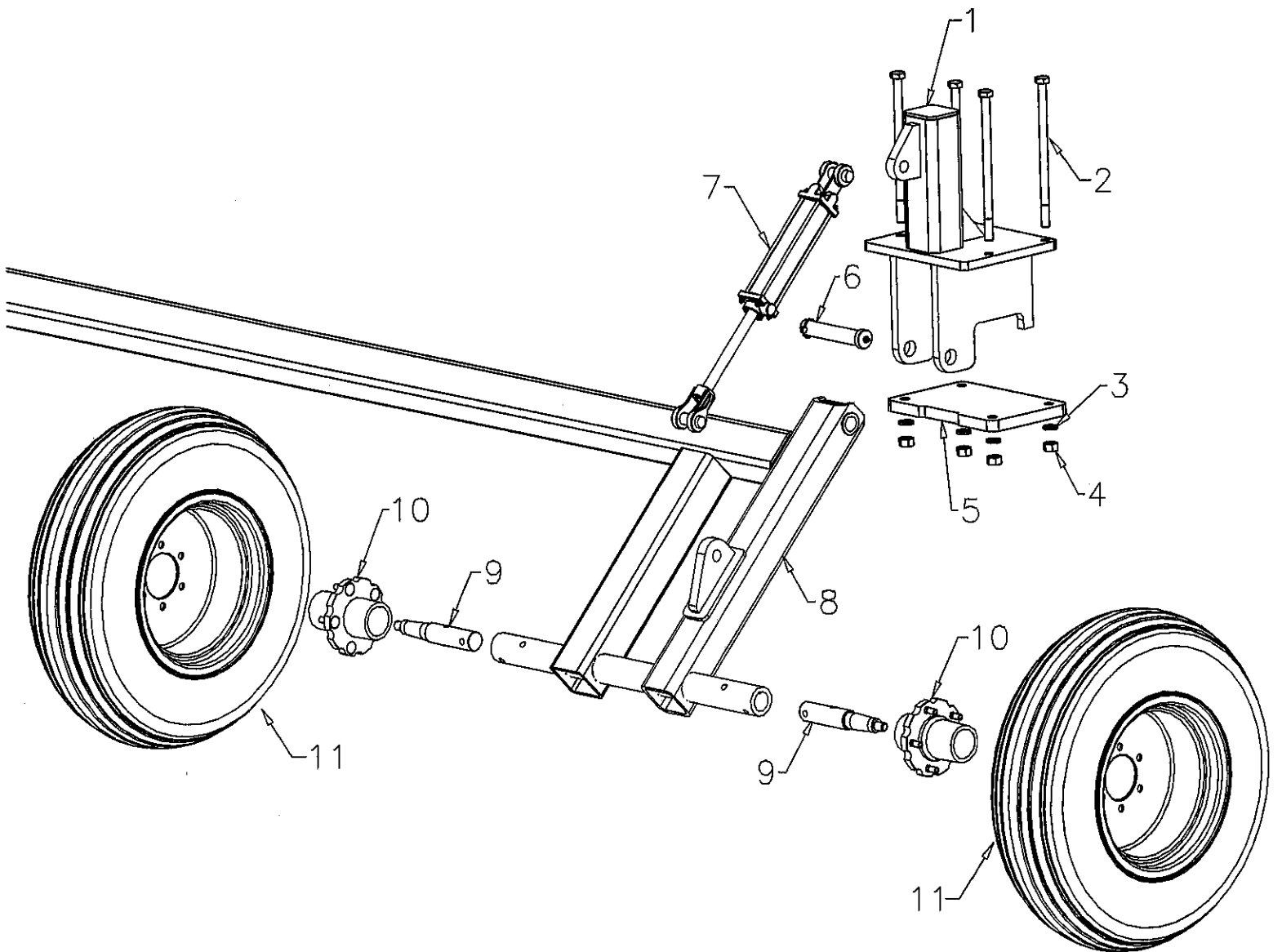
75" HARROW ASSEMBLY		
REF#	DESCRIPTION	PART NUMBER
1	Clevis, Harrow Pull	1010
2	Draglink 29"	2021
3	Link, Harrow Twisted Double Eye	1031
4	Link, Center	1028
5	Bushing, Harrow	1099
6	Chain, Harrow Lift - 21" Long	2025
7	Nut, 7/16" Center Lock N/C	8302
8	Pad, Harrow Tooth	1025
9	U-Bolt 7/16"	1026
10	Tooth, Harrow	1024
11	Pin, Lock	2724
12	Bar, #1-10 Tooth Harrow	MFG030227
13	Bar, #2-9 Tooth Harrow	MFG030228
14	Bar, #3-9 Tooth Harrow	MFG030229
15	Bar, #4-9 Tooth Harrow </td <td>MFG030230</td>	MFG030230
16	Bar, #5-10 Tooth Harrow	MFG030231



BASKET ASSEMBLY		
REF#	DESCRIPTION	PART NUMBER
1	Frame, 75" Basket	1956
2	Bearing, Flange	4356
3	Assembly, 76" Spiral Basket	1986
4	1/2" x 1 1/2" Carriage Bolt	8272
5	1/2" Center Lock Nut N/C	8303



TRANSPORT AXLE		
REF#	DESCRIPTION	PART NUMBER
1	Assembly, Transport Axle Bracket	MFG030516
2	Bolt, 3/4" x 12 1/2" Grade 8	5BLT34101212HX2
3	3/4" Lockwasher	8376
4	3/4" Hex Nut Grade 8	5NUT34GRD8Z
5	Plate, Transport Axle Clamp	MFG030479
6	Pin, Transport Wheel Pivot	MFG030384
7	3 1/2" x 10" Cylinder	1285
8	Assembly, 26' Pull Type Pulverizer Transport Axle	MFG030516
9	Spindle 106-753	9129
10	106-749 Hub with races, bearings, seal, and cap	9034
11	11L x 15 Tire Assembly (Wheel & Tire) 6 Hole	9181



HYDRAULIC HOSE			
REF#	DESCRIPTION		PART NUMBER
1	Hose, 71" x 3/8	2	5HOS3/8X71"
2	Hose, 60" x 3/8	2	5HOS3/8X60"
3	Hose, 76" x 3/8	2	5HOS3/8X76"
4	Hose, 83" x 3/8	2	5HOS3/8X83"
5	3/8" to 1/2" 90 Degree Elbow	6	9423
6	3/8" Flare to 1/2" Pipe Straight	2	9422
7	Hose, 148" x 3/8	4	9487
8	3/8" Bulkhead Tee	1	9373
9	T Mount Bracket	1	4598

