

ECS
**House
Industries**

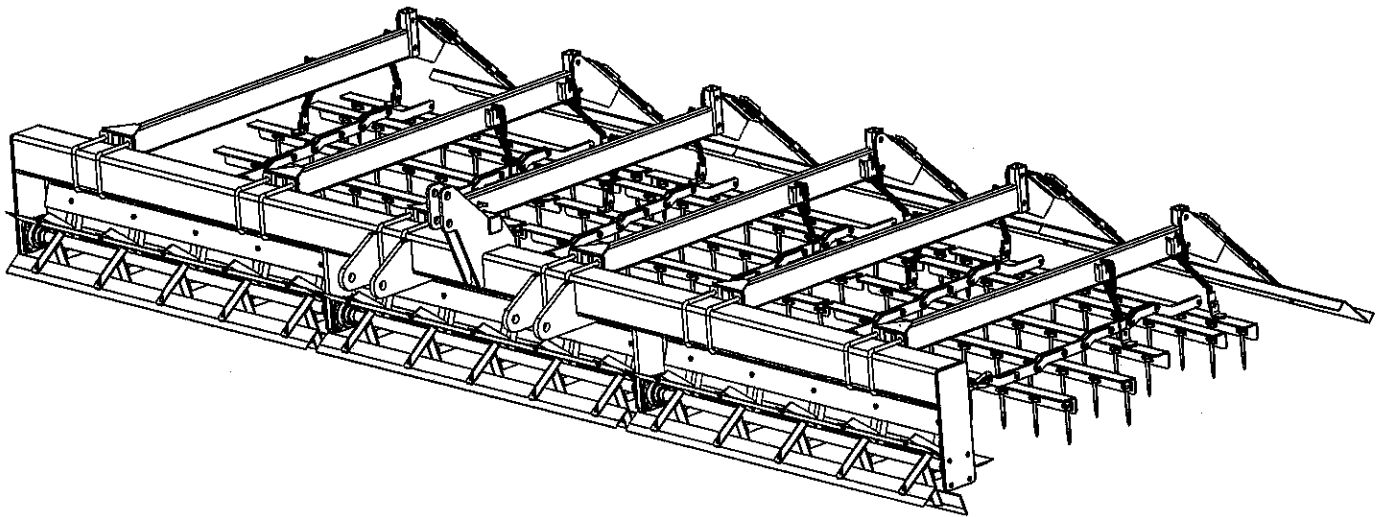
19-1/2' Rigid 3PT Lift Reel Pulverizer

6 Row 38" Centers

0194R3P-5HD

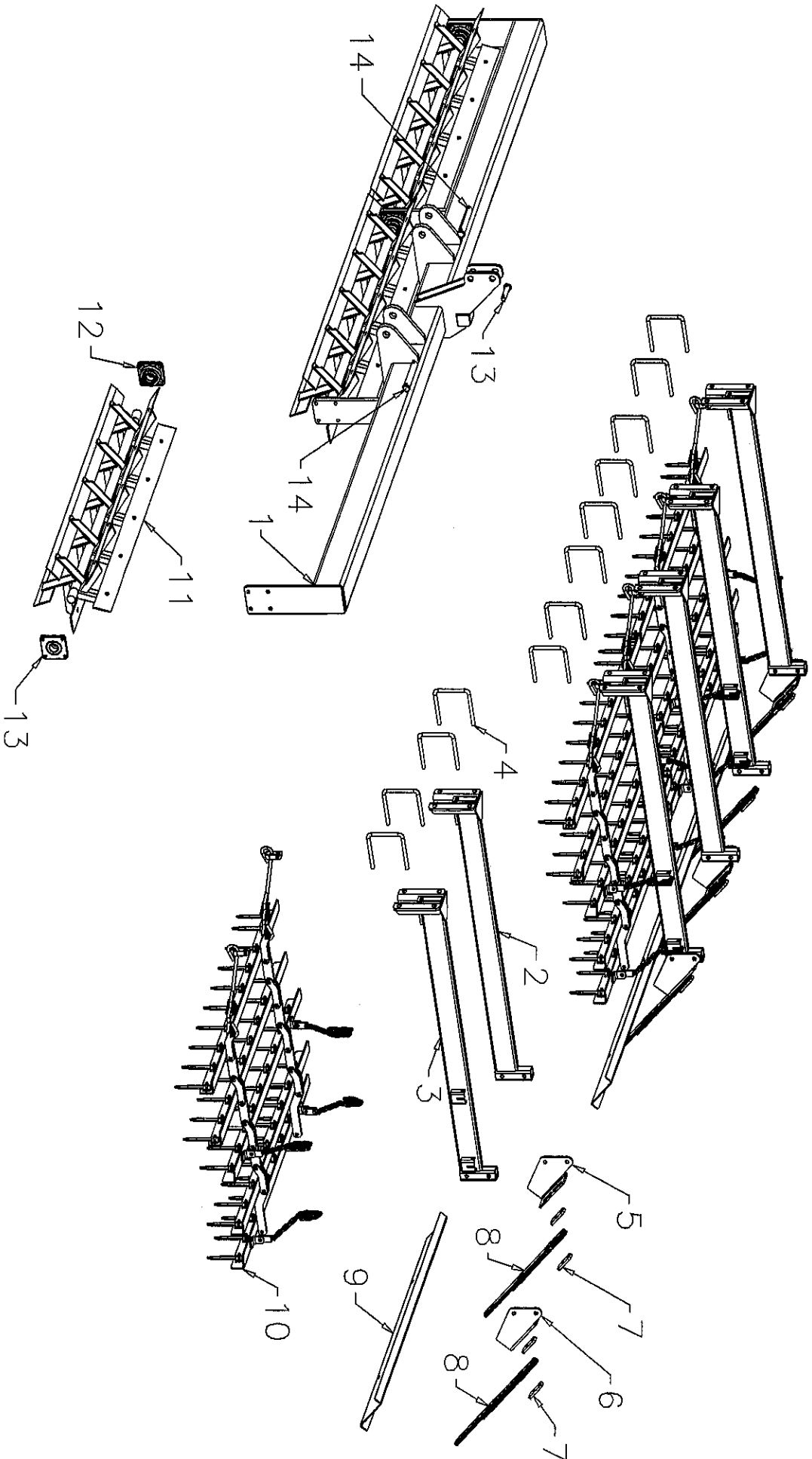
Parts List & Drawings

1/24/2012



19 1/2' RIGID 3PT LIFT PULVERIZER			
REF#	DESCRIPTION	QTY	PART NUMBER
1	Assembly, Pulverizer Frame	1	MFG030266
2	Bar, Lift Type Harrow Hanger LH	3	4491L
3	Bar, Lift Type Harrow Hanger RH	3	4491R
4	U-Bolt, 3/4" x 7" x 7" Sq.	16	8420
5	Bracket, Boardspring RH	3	4493R
6	Bracket, Boardspring LH	3	4494L
7	Plate, Dragboard Spring Reinforcement	12	2031
8	Spring, Dragboard Leaf	6	2029
9	Dragboard, 76" Metal	3	MFG030084
10	Assy, 6' HD Flex Harrow	3	MFG030217
11	Assembly, 75" Reel	3	3782
*	Blade Only	15	3813
12	Bearing, Flange	6	3816
13	Pin, Mast	1	3761
14	Pin, Lower Hitch	2	4809

3-Point Lift Reel Pulverizer



75" HARROW ASSEMBLY		
REF#	DESCRIPTION	PART NUMBER
1	Clevis, Harrow Pull	1010
2	Draglink 15"	3278
3	Link, Harrow Twisted Double Eye	1031
4	Link, Center	1028
5	Bushing, Harrow	1099
6	Chain, Harrow Lift - 21" Long	2025
7	Nut, 7/16" Center Lock N/C	8302
8	Pad, Harrow Tooth	1025
9	U-Bolt 7/16"	1026
10	Tooth, Harrow	1024
11	Pin, Lock	2724
12	Bar, #1-10 Tooth Harrow	MFG030227
13	Bar, #2-9 Tooth Harrow	MFG030228
14	Bar, #3-9 Tooth Harrow	MFG030229
15	Bar, #4-9 Tooth Harrow </td <td>MFG030230</td>	MFG030230
16	Bar, #5-10 Tooth Harrow	MFG030231

